



MEYER

UTILITY STRUCTURES

Meyer Light Duty
and Distribution Class
Steel Poles

Table of Contents

Why Use Steel?.....	2
Distribution Class – Meyer DC Series	
Meyer DC General Notes	3
Round Steel Class 5 – Meyer DC5	4
Round Steel Class 4 – Meyer DC4	4
Round Steel Class 3 – Meyer DC3	4
Round Steel Class 2 – Meyer DC2	5
Round Steel Class 1 – Meyer DC1	5
Round Steel Class H1 – Meyer DCH1	6
Round Steel Class H2 – Meyer DCH2	6
Light Duty Class – Meyer LD Series	
Meyer LD General Notes.....	7
12 Sided Steel Class 1 – Meyer LD1	8
12 Sided Steel Class H1 – Meyer LD2.....	8
12 Sided Steel Class H2 – Meyer LD3.....	9
12 Sided Steel Class H3 – Meyer LD4.....	9
12 Sided Steel Class H4 – Meyer LD5.....	10
12 Sided Steel Class H5 – Meyer LD6.....	10
12 Sided Steel Class H6 – Meyer LD7.....	11
12 Sided Steel Class – Meyer LD8	11
12 Sided Steel Class – Meyer LD9	12
12 Sided Steel Class – Meyer LD10	12
12 Sided Steel Class – Meyer LD11	13
12 Sided Steel Class – Meyer LD12	13
Slip Joint Configuration	14
Standard Davit Arms	15
Davit Arm Details	16
LD Bracket Details.....	17
Typical Arm Assemblies	18
Standard Davit Arm Details.....	19
Bolt On Assemblies (10 and 20 KIP)	20
Bolt On Assembly (40 KIP)	21
Standard Through Vang	22
Standard Ladders	23
Climbing Hardware	24
Grounding Options	25
Terms and Conditions of Sales.....	26

Why Use Steel?

Steel: The Better Choice

A Meyer Standard Class Steel Pole Series pole is a better choice than a wood pole in most cases. Typically used for voltages from 12.5kV to 230kV, a steel pole is up to 50% lighter than a wood “equivalent”.

More Environmentally Responsible

Steel is actually a more environmentally responsible material. Many people think of wood as being 100% recyclable. Wood is renewable, but not 100% recyclable. Wood poles require extensive chemical preservatives to prolong their life. Many groups are concerned about those chemicals leaching into water sources, agricultural and playground dirt, leading many governments to classify wood poles as a hazardous waste which restrict the recycling and landfill choices a pole owner has when the time comes to retire the pole. And, as the wood pole eventually decays, those chemicals are fully released and the carbon that was bound into the pole’s wood is released back into the environment, giving wood a carbon footprint.

Stronger in All Ways

Stronger than wood, stiffer than composite; steel is unmatched in its universal applicability. Precisely engineered capacities, rather than approximated ones, give you performance you can rely on.

Fewer Poles: Lower Installed Costs; Lower Maintenance Costs: Fewer Headaches

Steel poles support longer spans. Longer spans require fewer poles, less labor, less hardware and less time which result in lower installed costs.

Superior Aesthetics

The predictability and consistency of steel poles’ geometry and straightness provide an advantage in appearance that wood poles cannot offer. And, because not all installation sites are the same, steel’s versatility wins again... round or sided; galvanized or weathering; the options are multiple and the choice is yours!

Ease of Handling and Maintenance

The pole handling equipment used to handle wood poles may be used to handle the lighter class-for-class steel pole. Unlike steel poles, wood poles expand and contract over time, requiring periodic maintenance and adjustments to their hardware.

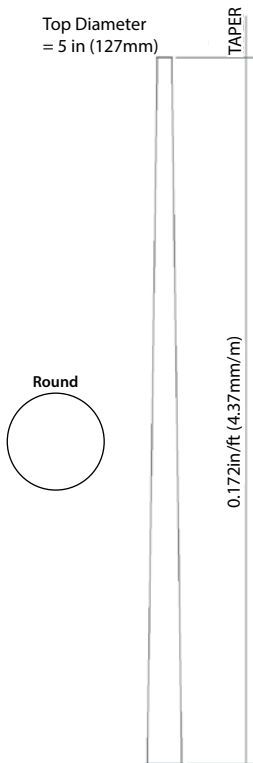
Overall, and for many reasons, steel is simply the better choice.

General Notes

- A. Materials: ASTM A1011, Grade 65 or A572, Grade 65 modified (galvanized poles), with silicon limit of 0.06% max, ASTM A871, Grade 65 modified (self-weathering poles) with a Charpy V-Notch Impact Value of 15 foot-pounds (20.3 joules) at - 20°F/- 29°C (Heat Lot Tested). Bolts are supplied per ASTM F3125.
- B. Pole section properties and moment capacities are calculated in accordance with ASCE/SEI 48 (latest version) and RUS Bulletin 1724E-214.
- C. Resultant moments were calculated using loading specified in RUS Bulletin 1724E-214.
- D. Any correlation of pre-engineered steel pole size to wood pole class is based on Class B construction. Pre-engineered steel pole sizes shall be selected per ASCE 48 (latest version).
- E. The ultimate capacities listed herein are based on the materials' minimum yield strength. Thus, loads used to calculate pole moments should include appropriate overload factors.
- F. Embedment depths are assumed to be 10% of total pole length +2 ft. (.6m). Actual embedment depths should be based on existing soil conditions and backfill material. Example: Pole Length = 80 ft. (24.4m): Assumed embedment depth = 10 ft. (3m).
- G. Bearing Plates are welded to the bottom of the poles and extend approximately 3/4" (19.05 mm) past the outside of the tower wall. Bearing plate thicknesses are 3/16" (4.76 mm) for pole diameters $\leq 30"$ (762 mm), they are 1/4" (6.35 mm) for pole diameters $> 30"$ (762 mm) $\leq 45"$ (1143 mm) and 5/16" (7.94 mm) for pole diameters $> 45"$ (1143 mm). Poles with a galvanized finish have a sizable opening in the bearing plate to allow for ventilation during galvanizing. Poles with weathering finishes have bearing plates that also have an opening. A pole cap is included with each pole.
- H. Welds:
 - Long Seam Weld = 80% minimum penetration
 - Long Seam-Female Section of Slip Joint +6" = 100% penetration
- I. Below grade corrosion protection is recommended. Shop applied protective coating and/or ground sleeves are available upon request.
- J. Poles shall be marked with the Meyer job number and the DC class and length in feet, e.g. DC5 - 45 . Additional marking is available upon request.
- K. Slipjoints have a 1.65 slipjoint factor for a minimum of 2'-0".

Distribution Class – Meyer DC Series

ROUND STEEL POLES

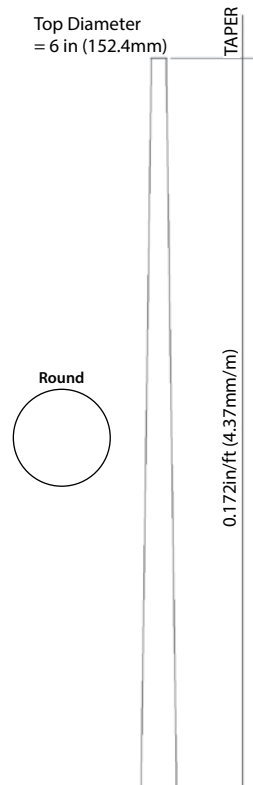


STEEL POLE CLASSIFICATION CLASS 5 | MEYER (ROUND) DC5

Total Pole Length (ft./m)	Plate Thickness (in./mm)	Base Dia. at Bearing Plate (in./mm)	Groundline Moment (ft-kips/kN-m)	Estimated Pole Weight (Black) (lbs./kg)
30/9.14	0.12/3.05	10.16/258.06	28.40/38.51	297/135
35/10.67	0.12/3.05	11.02/279.91	33.90/45.96	365/166
40/12.19	0.12/3.05	11.88/301.75	39.40/53.42	438/199
45/13.72	0.12/3.05	12.74/323.60	44.90/60.87	578/262
50/15.24	0.12/3.05	13.60/345.44	50.40/68.33	518/235

STEEL POLE CLASSIFICATION CLASS 4 | MEYER (ROUND) DC4

Total Pole Length (ft./m)	Plate Thickness (in./mm)	Base Dia. at Bearing Plate (in./mm)	Groundline Moment (ft-kips/kN-m)	Estimated Pole Weight (Black) (lbs./kg)
30/9.14	0.12/3.05	10.16/258.06	35.80/48.54	297/135
35/10.67	0.12/3.05	11.02/279.91	42.80/58.03	365/166
40/12.19	0.12/3.05	11.88/301.75	49.70/67.38	438/199
45/13.72	0.12/3.05	12.74/323.60	56.70/76.87	578/262
50/15.24	0.12/3.05	13.60/345.44	63.60/86.23	518/235

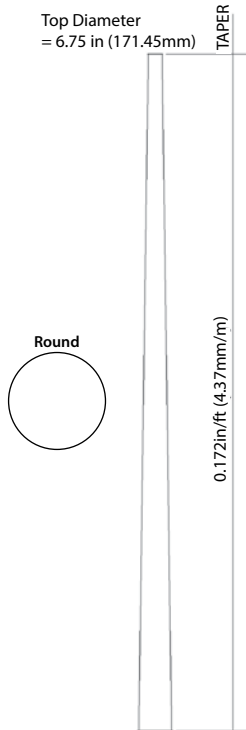


STEEL POLE CLASSIFICATION CLASS 3; RUS S-02.0 | MEYER (ROUND) DC3

Total Pole Length (ft./m)	Plate Thickness (in./mm)	Base Dia. at Bearing Plate (in./mm)	Groundline Moment (ft-kips/kN-m)	Estimated Pole Weight (Black) (lbs./kg)
30/9.14	0.12/3.05	11.16/283.46	44.80/60.74	337/153
35/10.67	0.12/3.05	12.02/305.31	53.50/72.54	412/187
40/12.19	0.12/3.05	12.88/327.15	62.20/84.33	492/223
45/13.72	0.12/3.05	13.74/349.00	70.90/96.13	578/262
50/15.24	0.12/3.05	14.60/370.84	79.60/107.92	669/303
55/16.76	0.12/3.05	15.10/383.54	88.20/119.58	786/357
60/18.29	0.12/3.05	15.96/405.38	96.80/131.24	884/401
65/19.81	0.12/3.05	16.82/427.23	105.50/143.04	1000/454
70/21.34	0.12/3.05	17.67/448.82	114.10/154.70	1112/504
75/22.86	0.12/3.05	18.53/470.66	122.70/166.36	1229/557
80/24.38	0.12/3.05	19.40/492.76	131.30/178.02	1351/613
85/25.91	0.12/3.05	20.26/514.60	139.90/189.68	1479/671
90/27.43	0.12/3.05	21.12/536.45	148.50/201.34	1614/732
95/28.96	0.12/3.05	21.98/558.29	157.10/213.00	1757/797

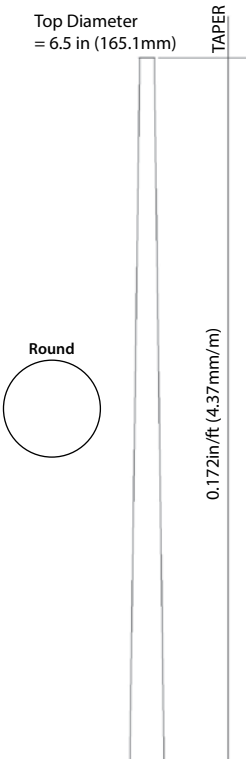
Distribution Class – Meyer DC Series

ROUND STEEL POLES



STEEL POLE CLASSIFICATION CLASS 2; RUS S-02.4 | MEYER (ROUND) DC2

Total Pole Length (ft./m)	Plate Thickness (in./mm)	Base Dia. at Bearing Plate (in./mm)	Groundline Moment (ft-kips/kN-m)	Estimated Pole Weight (Black) (lbs./kg)
30/9.14	0.133/3.38	11.92/302.77	55.20/74.98	404/183
35/10.67	0.133/3.38	12.77/324.36	66.00/89.48	493/224
40/12.19	0.133/3.38	13.63/346.20	76.80/104.13	587/266
45/13.72	0.133/3.38	14.49/368.05	87.50/118.63	687/312
50/15.24	0.133/3.38	15.35/389.89	98.20/133.14	794/360
55/16.76	0.133/3.38	18.82/478.03	108.90/147.65	928/421
60/18.29	0.133/3.38	16.68/423.67	119.60/162.16	1045/474
65/19.81	0.133/3.38	17.54/445.52	130.20/176.53	1178/534
70/21.34	0.133/3.38	18.40/467.36	140.90/191.04	1306/592
75/22.86	0.133/3.38	19.26/489.20	151.50/205.41	1441/654
80/24.38	0.133/3.38	20.12/511.05	162.10/219.78	1581/717
85/25.91	0.133/3.38	20.98/532.89	172.80/234.29	1728/784
90/27.43	0.133/3.38	21.84/554.74	183.40/248.66	1881/853
95/28.96	0.133/3.38	22.70/576.58	194.00/263.03	2049/929

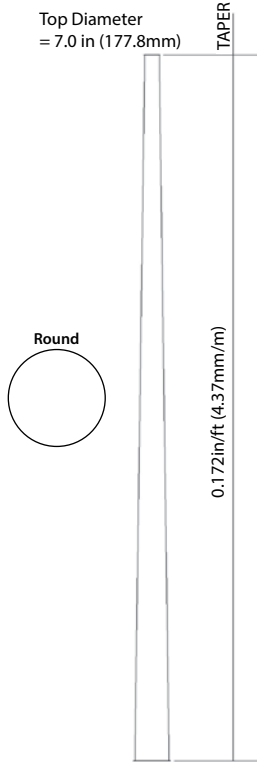


STEEL POLE CLASSIFICATION CLASS 1; RUS S-02.9 | MEYER (ROUND) DC1

Total Pole Length (ft./m)	Plate Thickness (in./mm)	Base Dia. at Bearing Plate (in./mm)	Groundline Moment (ft-kips/kN-m)	Estimated Pole Weight (Black) (lbs./kg)
30/9.14	0.162/4.11	11.66/296.16	67.20/91.11	475/215
35/10.67	0.162/4.11	12.52/318.01	80.30/108.87	579/263
40/12.19	0.162/4.11	13.38/339.85	93.30/126.50	692/314
45/13.72	0.162/4.11	14.24/361.70	106.40/144.26	812/368
50/15.24	0.162/4.11	15.10/383.54	119.40/161.89	939/426
55/16.76	0.162/4.11	15.51/393.95	132.30/179.38	1097/498
60/18.29	0.162/4.11	16.37/415.80	145.30/197.00	1235/560
65/19.81	0.162/4.11	17.23/437.64	158.30/214.63	1395/633
70/21.34	0.162/4.11	18.09/459.49	171.20/232.12	1548/702
75/22.86	0.162/4.11	18.95/481.33	184.10/249.61	1707/774
80/24.38	0.162/4.11	19.81/503.17	197.00/267.10	1875/850
85/25.91	0.162/4.11	20.67/525.02	209.90/284.59	2052/931
90/27.43	0.162/4.11	21.53/546.86	222.70/301.94	2235/1014
95/28.96	0.162/4.11	22.39/568.71	235.60/319.43	2434/1104

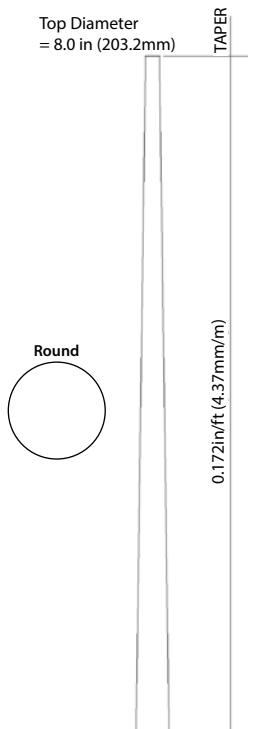
Distribution Class – Meyer DC Series

ROUND STEEL POLES



STEEL POLE CLASSIFICATION H1; RUS S-03.5 | MEYER (ROUND) DCH1

Total Pole Length (ft./m)	Plate Thickness (in./mm)	Base Dia. at Bearing Plate (in./mm)	Groundline Moment (ft-kips/kN-m)	Estimated Pole Weight (Black) (lbs./kg)
30/9.14	0.1875/4.76	12.16/308.86	80.60/109.28	578/262
35/10.67	0.1875/4.76	13.02/330.71	96.40/130.70	704/319
40/12.19	0.1875/4.76	13.88/352.55	112.10/151.99	837/380
45/13.72	0.1875/4.76	14.74/374.40	127.70/173.14	980/445
50/15.24	0.1875/4.76	15.60/396.24	143.40/194.42	1131/513
55/16.76	0.1875/4.76	15.96/405.38	158.90/215.44	1319/598
60/18.29	0.1875/4.76	16.82/427.23	174.50/236.59	1484/673
65/19.81	0.1875/4.76	17.68/449.07	190.10/257.74	1675/760
70/21.34	0.1875/4.76	18.54/470.92	205.60/278.76	1856/842
75/22.86	0.1875/4.76	19.40/492.76	221.10/299.77	2046/928
80/24.38	0.1875/4.76	20.26/514.60	236.60/320.79	2245/1018
85/25.91	0.1875/4.76	21.12/536.45	252.10/341.80	2453/1113
90/27.43	0.1875/4.76	21.98/558.29	267.60/362.82	2667/1210
95/28.96	0.1875/4.76	22.84/580.14	283.10/383.83	2903/1317



STEEL POLE CLASSIFICATION H2; RUS S-04.2 | MEYER (ROUND) DCH2

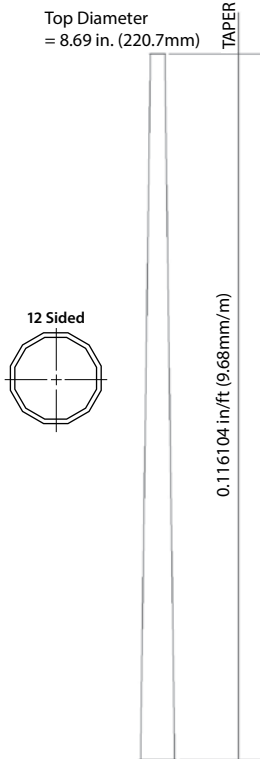
Total Pole Length (ft./m)	Plate Thickness (in./mm)	Base Dia. at Bearing Plate (in./mm)	Groundline Moment (ft-kips/kN-m)	Estimated Pole Weight (Black) (lbs./kg)
30/9.14	0.1875/4.76	13.16/334.26	95.70/129.75	641/291
35/10.67	0.1875/4.76	14.02/356.11	114.20/154.83	776/352
40/12.19	0.1875/4.76	14.88/377.95	132.90/180.19	919/417
45/13.72	0.1875/4.76	15.74/399.80	151.50/205.41	1072/486
50/15.24	0.1875/4.76	16.60/421.64	170.00/230.49	1235/560
55/16.76	0.1875/4.76	16.96/430.78	188.50/255.57	1436/651
60/18.29	0.1875/4.76	17.82/452.63	206.90/280.52	1610/730
65/19.81	0.1875/4.76	18.68/474.47	225.50/305.74	1814/823
70/21.34	0.1875/4.76	19.54/496.32	243.90/330.68	2006/910
75/22.86	0.1875/4.76	20.40/518.16	262.30/355.63	2206/1001
80/24.38	0.1875/4.76	21.26/540.00	280.70/380.58	2415/1095
85/25.91	0.1875/4.76	22.12/561.85	299.00/405.39	2633/1194
90/27.43	0.1875/4.76	22.98/583.69	317.40/430.34	2857/1296
95/28.96	0.1875/4.76	23.84/605.54	335.80/455.28	3105/1408

General Notes

- A. Material - ASTM A871 Modified (Self Weathering) or ASTM A572 modified (galvanized). A588, A871, A572, minimum grade 50 (flange plate). F_y — 65 ksi (448 MPa) with a Charpy V-Notch Impact Value of 15 foot-pounds (20.3 joules) at -20°F/-29°C (Heat Lot Tested).
- B. Pole section properties and moment capacities are calculated in accordance with ASCE/SEI 48 (latest version) and RUS Bulletin 1724E-214.
1. LD Poles are regular dodecagon (12-Sided Polygon).
 2. Pole diameters are measured across the flats
- C. Embedment depths are assumed to be 10% of total pole length +2 ft. (.6m). Actual embedment depths should be based on existing soil conditions and backfill material.
Example: Pole Length = 80 ft. (24.4m): Assumed embedment depth =10 ft. (3m).
- D. For standard steel pole classifications MeyerLD1–MeyerLD12, standard slip-jointed designs are single piece to a total pole length (HT) of 50ft. Standard flange joint pole designs are single piece for HT=50ft, 2-piece for HT=55ft to HT=100ft, and 3-piece for HT=105ft to HT=120ft.
For standard steel pole classifications MeyerLD1–MeyerLD6 are 2-piece for HT=55ft to HT=90ft and 3-piece for HT=105ft to HT=120ft. Standard flange joint pole designs for 55ft and 60ft pole lengths top sections are 35ft and for HT=70ft the top section is 45ft.
For standard steel pole classifications, MeyerLD7–MeyerLD12 are 2-piece for HT=55ft to HT=95ft and 3-piece for HT=100ft to HT=120ft. Standard flange joint pole designs for 55ft and 60ft pole lengths top sections are 35ft and for HT=70ft the top section is 50ft. All top sections within a pole class have the same top diameter, thickness and taper.
- E. Bearing Plates are welded to the bottom of the poles and extend approximately $\frac{3}{4}$ " (19.05 mm) past the outside of the tower wall. Bearing plate thicknesses are $\frac{3}{16}$ " (4.76 mm) for pole diameters ≤ 30 " (762 mm), $\frac{1}{4}$ " (6.35 mm) for pole diameters > 30 " (762 mm) ≤ 45 " (1143 mm) and $\frac{5}{16}$ " (7.94 mm) for pole diameters > 45 " (1143 mm). Poles with a galvanized finish have a sizable opening in the bearing plate to allow for ventilation during galvanizing. Poles with weathering finishes have bearing plates that are closed. A pole cap is included with each pole. A sealer plate is included in the base section of weathering steel poles.
- F. Weld Penetration:
Circumference Weld = 100%
Long Seam Weld = 80%
Long Seam-Female Slip Joint +6" = 100%
Sealer Plates & Bearing Plates = $\frac{3}{16}$ in. (4.8mm) Fillet Weld
- G. Pole Grounding is available upon request.
- H. Below grade corrosion protection is recommended. Shop applied protective coating and/or ground sleeves are available upon request.
- I. Poles shall be marked with the Meyer job number and the LD class and length in feet, e.g. LD2 – 100. Additional marking is available upon request.
- J. Resultant moments were calculated using loading specified in RUS Bulletin 1724E-214.
- K. Any correlation of pre-engineered steel pole size to wood pole class is based on Class B construction. Pre-engineered steel pole sizes shall be selected per ASCE 48 (latest version).
- L. The ultimate capacities listed herein are based on the materials' minimum yield strength. Thus, loads used to calculate pole moments should include appropriate overload factors.

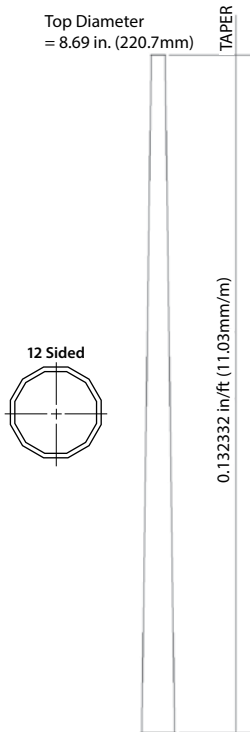
MeyerLD STEEL POLES

STEEL POLE CLASSIFICATION CLASS 1; RUS S-02.9 | Meyer (12 SIDED) LD1



Total Pole Length (ft./m)	Plate Thickness (in./mm)	Base Dia. at Bearing Plate (in./mm) F-F	Groundline Moment (ft-kips/kN-m) F-F	Estimated Pole Weight (Black) (lbs./kg)
40/12.19	.1875/4.763	13.34/339	93/126	959/435
45/13.72	.1875/4.763	13.92/354	106/144	1101/499
50/15.24	.1875/4.763	14.50/368	119/162	1248/566
55/16.76	.1875/4.763	14.59/371	132/179	1436/651
60/18.29	.1875/4.763	15.17/385	145/197	1589/721
65/19.81	.1875/4.763	15.74/400	158/215	1765/801
70/21.34	.1875/4.763	16.32/415	171/233	1931/876
75/22.86	.1875/4.763	16.90/429	184/250	2104/954
80/24.38	.1875/4.763	17.48/444	197/268	2283/1036
85/25.91	.1875/4.763	18.06/459	210/285	2466/1119
90/27.43	.1875/4.763	18.64/473	223/303	2657/1205
95/28.96	.1875/4.763	18.73/457	236/320	2931/1329
100/30.48	.1875/4.763	19.31/490	248/337	3130/1420
105/32.00	.1875/4.763	19.89/505	261/355	3332/1511
110/33.53	.1875/4.763	20.48/520	274/372	3543/1607
115/35.05	.1875/4.763	21.06/535	287/389	3757/1704
120/36.58	.1875/4.763	21.64/550	299/406	3979/1805

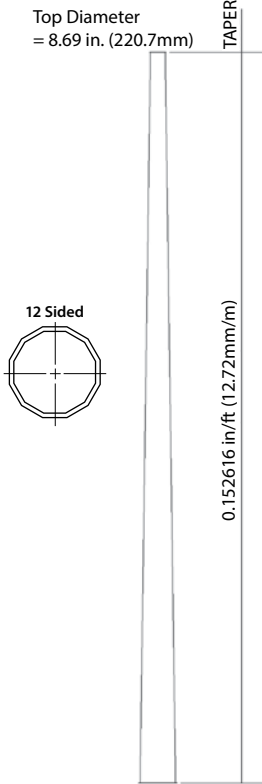
STEEL POLE CLASSIFICATION H-1; RUS S-03.5 | Meyer (12 SIDED) LD2



Total Pole Length (ft./m)	Plate Thickness (in./mm)	Base Dia. at Bearing Plate (in./mm) F-F	Groundline Moment (ft-kips/kN-m) F-F	Estimated Pole Weight (Black) (lbs./kg)
40/12.19	.1875/4.763	13.99/355	112/152	990/449
45/13.72	.1875/4.763	14.64/372	127/173	1139/517
50/15.24	.1875/4.763	15.31/389	143/194	1293/586
55/16.76	.1875/4.763	15.47/393	159/215	1494/678
60/18.29	.1875/4.763	16.14/410	174/236	1658/752
65/19.81	.1875/4.763	16.80/427	190/258	1851/840
70/21.34	.1875/4.763	17.46/443	205/279	2029/920
75/22.86	.1875/4.763	18.12/460	221/300	2213/1004
80/24.38	.1875/4.763	18.79/477	236/321	2405/1091
85/25.91	.1875/4.763	19.44/494	252/342	2604/1181
90/27.43	.1875/4.763	20.11/511	267/363	2809/1274
95/28.96	.1875/4.763	20.27/515	283/384	3115/1413
100/30.48	.1875/4.763	20.93/532	298/405	3328/1510
105/32.00	.1875/4.763	21.60/549	313/426	3549/1610
110/33.53	.1875/4.763	22.25/565	329/446	3778/1714
115/35.05	.1875/4.763	22.92/582	344/467	4011/1819
120/36.58	.1875/4.763	23.58/599	359/488	4253/1929

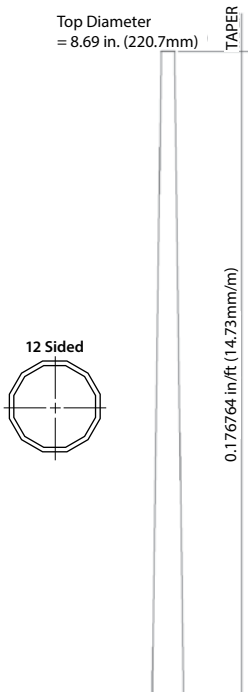
MeyerLD STEEL POLES

STEEL POLE CLASSIFICATION H-2; RUS S-04.2 | Meyer (12 SIDED) LD3



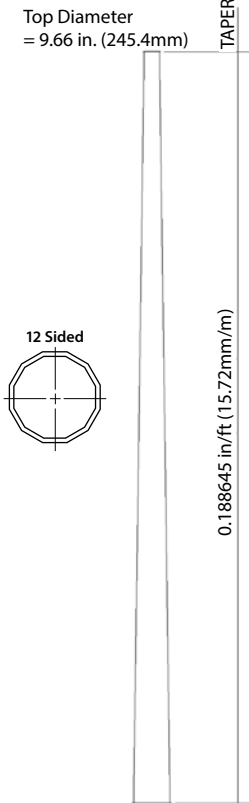
Total Pole Length (ft./m)	Plate Thickness (in./mm)	Base Dia. at Bearing Plate (in./mm) F-F	Groundline Moment (ft-kips/kN-m) F-F	Estimated Pole Weight (Black) (lbs./kg)
40/12.19	.1875/4.763	14.80/376	132/180	1027/466
45/13.72	.1875/4.763	15.56/395	151/205	1185/538
50/15.24	.1875/4.763	16.32/415	170/230	1351/613
55/16.76	.1875/4.763	16.59/421	188/255	1566/710
60/18.29	.1875/4.763	17.36/441	207/280	1742/790
65/19.81	.1875/4.763	18.12/460	225/305	1952/885
70/21.34	.1875/4.763	18.88/480	244/330	2145/973
75/22.86	.1875/4.763	19.65/499	262/355	2346/1064
80/24.38	.1875/4.763	20.41/518	280/380	2556/1159
85/25.91	.1875/4.763	21.17/538	299/405	2771/1257
90/27.43	.1875/4.763	21.94/557	317/430	2995/1359
95/28.96	.1875/4.763	22.20/564	335/455	3341/1515
100/30.48	.1875/4.763	22.96/583	354/480	3575/1622
105/32.00	.1875/4.763	23.72/602	372/504	3818/1732
110/33.53	.1875/4.763	24.49/622	390/529	4071/1847
115/35.05	.1875/4.763	25.25/641	408/554	4330/1964
120/36.58	.1875/4.763	26.01/661	426/579	4595/2084

STEEL POLE CLASSIFICATION H-3; RUS S-04.9 | Meyer (12 SIDED) LD4



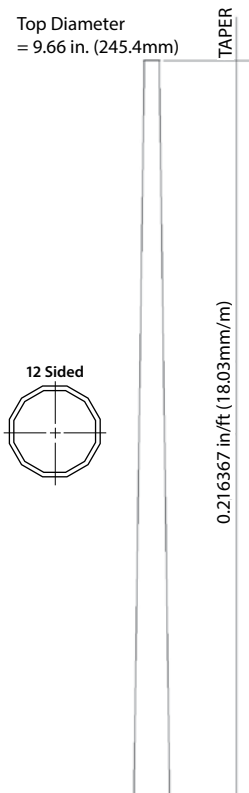
Total Pole Length (ft./m)	Plate Thickness (in./mm)	Base Dia. at Bearing Plate (in./mm) F-F	Groundline Moment (ft-kips/kN-m) F-F	Estimated Pole Weight (Black) (lbs./kg)
40/12.19	.1875/4.763	15.76/400	155/211	1072/486
45/13.72	.1875/4.763	16.65/423	177/240	1242/563
50/15.24	.1875/4.763	17.53/445	199/270	1421/645
55/16.76	.1875/4.763	17.92/455	221/299	1657/752
60/18.29	.1875/4.763	18.81/478	242/329	1849/839
65/19.81	.1875/4.763	19.69/500	264/358	2079/943
70/21.34	.1875/4.763	20.57/522	286/387	2290/1039
75/22.86	.1875/4.763	21.45/545	307/417	2509/1138
80/24.38	.1875/4.763	22.34/567	329/446	2738/1242
85/25.91	.1875/4.763	23.22/590	350/475	2976/1350
90/27.43	.1875/4.763	24.11/612	372/504	3221/1461
95/28.96	.1875/4.763	24.50/600	393/534	3616/1640
100/30.48	.1875/4.763	25.37/644	415/563	3876/1758
105/32.00	.1875/4.763	26.26/667	436/592	4146/1881
110/33.53	.1875/4.763	27.14/689	458/621	4424/2007
115/35.05	.1875/4.763	28.03/712	479/651	4713/2138
120/36.58	.1875/4.763	28.91/734	501/680	5008/2272

MeyerLD STEEL POLES



STEEL POLE CLASSIFICATION H-4; RUS S-05.7 | Meyer (12 SIDED) LD5

Total Pole Length (ft./m)	Plate Thickness (in./mm)	Base Dia. at Bearing Plate (in./mm) F-F	Groundline Moment (ft-kips/kN-m) F-F	Estimated Pole Weight (Black) (lbs./kg)
40/12.19	.1875/4.763	17.20/437	180/245	1180/535
45/13.72	.1875/4.763	18.15/461	206/279	1364/619
50/15.24	.1875/4.763	19.09/485	231/313	1559/707
55/16.76	.1875/4.763	19.54/496	256/347	1827/829
60/18.29	.1875/4.763	20.48/520	281/382	2037/924
65/19.81	.1875/4.763	21.42/544	307/416	2290/1039
70/21.34	.1875/4.763	22.37/568	332/450	2518/1142
75/22.86	.1875/4.763	23.31/592	357/484	2757/1251
80/24.38	.1875/4.763	24.25/616	382/518	3006/1363
85/25.91	.1875/4.763	25.20/640	407/552	3265/1481
90/27.43	.1875/4.763	26.14/664	432/586	3533/1603
95/28.96	.1875/4.763	26.59/ 675	457/620	3973/1802
100/30.48	.1875/4.763	27.53/699	482/654	4256/1930
105/32.00	.1875/4.763	28.48/723	507/688	4549/2063
110/33.53	.1875/4.763	29.42/747	532/722	4865/2207
115/35.05	.1875/4.763	30.36/771	557/756	5178/2349
120/36.58	.1875/4.763	31.31/795	582/790	5501/2495



STEEL POLE CLASSIFICATION H-5; RUS S-06.5 | Meyer (12 SIDED) LD6

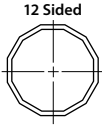
Total Pole Length (ft./m)	Plate Thickness (in./mm)	Base Dia. at Bearing Plate (in./mm) F-F	Groundline Moment (ft-kips/kN-m) F-F	Estimated Pole Weight (Black) (lbs./kg)
40/12.19	.1875/4.763	18.31/465	207/281	1231/558
45/13.72	.1875/4.763	19.40/493	236/321	1430/649
50/15.24	.1875/4.763	20.48/520	265/360	1640/744
55/16.76	.1875/4.763	21.07/535	294/399	1932/876
60/18.29	.1875/4.763	22.15/563	323/439	2158/979
65/19.81	.1875/4.763	23.23/590	353/478	2435/1104
70/21.34	.1875/4.763	24.31/617	382/517	2685/1218
75/22.86	.1875/4.763	25.39/645	410/557	2945/1336
80/24.38	.1875/4.763	26.48/673	439/596	3216/1459
85/25.91	.1875/4.763	27.56/700	468/635	3498/1587
90/27.43	.1875/4.763	28.64/727	497/674	3793/1720
95/28.96	.1875/4.763	29.22/742	526/714	4321/1960
100/30.48	.1875/4.763	30.30/770	555/753	4633/2101
105/32.00	.1875/4.763	31.38/797	584/792	4957/2248
110/33.53	.1875/4.763*	32.46/824	613/831	5997/2720
115/35.05	.1875/4.763*	33.55/852	642/871	6454/2927
120/36.58	.1875/4.763*	34.63/880	671/910	6927/3142

*Bottom section pl thickness = .25/6.350

MeyerLD STEEL POLES

Top Diameter
= 9.85 in. (250.2mm)

TAPER



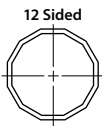
0.180628 in./ft. (15.05mm/m)

STEEL POLE CLASSIFICATION H-6; RUS S-07.4 | Meyer (12 SIDED) LD7

Total Pole Length (ft./m)	Plate Thickness (in./mm)	Base Dia. at Bearing Plate (in./mm) F-F	Groundline Moment (ft-kips/kN-m) F-F	Estimated Pole Weight (Black) (lbs./kg)
40/12.19	.25/6.350	17.08/434	236/321	1539/698
45/13.72	.25/6.350	17.98/457	270/366	1781/808
50/15.24	.25/6.350	18.88/480	303/411	2035/923
55/16.76	.25/6.350	19.16/487	336/455	2365/1073
60/18.29	.25/6.350	20.07/510	369/500	2636/1196
65/19.81	.25/6.350	20.97/533	402/545	2985/1354
70/21.34	.25/6.350	21.88/556	435/590	3281/1488
75/22.86	.25/6.350	22.78/579	468/634	3589/1628
80/24.38	.25/6.350	23.68/601	501/679	3910/1774
85/25.91	.25/6.350	24.58/624	533/723	4244/1925
90/27.43	.25/6.350	25.49/647	566/768	4589/2082
95/28.96	.25/6.350	26.39/670	599/812	4947/2244
100/30.48	.25/6.350	26.67/677	632/857	5504/2497
105/32.00	.25/6.350	27.58/701	664/901	5879/2667
110/33.53	.25/6.350	28.48/723	697/945	6267/2843
115/35.05	.25/6.350	29.38/746	730/990	6681/3030
120/36.58	.25/6.350	30.28/769	762/1034	7094/3218

Top Diameter
= 9.85 in. (250.2mm)

TAPER

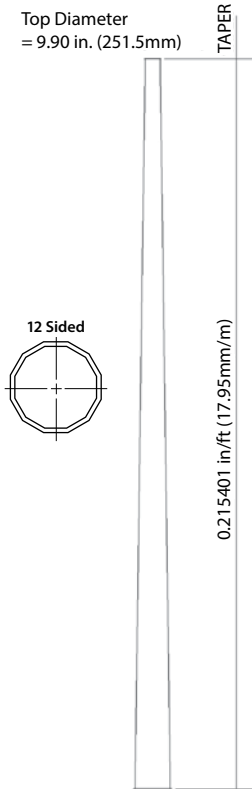


0.194151 in./ft. (16.18mm/m)

STEEL POLE CLASSIFICATION RUS S-08.0 | Meyer (12 SIDED) LD8

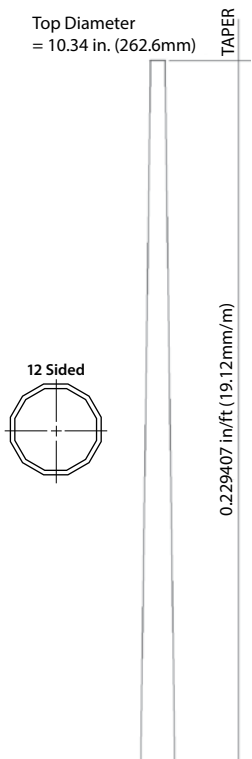
Total Pole Length (ft./m)	Plate Thickness (in./mm)	Base Dia. at Bearing Plate (in./mm) F-F	Groundline Moment (ft-kips/kN-m) F-F	Estimated Pole Weight (Black) (lbs./kg)
40/12.19	.25/6.350	17.62/448	255/346	1572/713
45/13.72	.25/6.350	18.58/472	291/395	1822/826
50/15.24	.25/6.350	19.56/497	327/443	2085/946
55/16.76	.25/6.350	19.91/506	359/486	2432/1103
60/18.29	.25/6.350	20.88/530	398/540	2715/1232
65/19.81	.25/6.350	21.85/555	434/588	3078/1396
70/21.34	.25/6.350	22.82/580	470/637	3387/1536
75/22.86	.25/6.350	23.79/604	505/685	3709/1682
80/24.38	.25/6.350	24.77/629	541/733	4045/1835
85/25.91	.25/6.350	25.73/654	576/781	4394/1993
90/27.43	.25/6.350	26.71/678	612/829	4756/2157
95/28.96	.25/6.350	27.67/703	647/877	5131/2327
100/30.48	.25/6.350	28.02/712	682/925	5741/2604
105/32.00	.25/6.350	29.00/737	718/973	6150/2790
110/33.53	.25/6.350	29.96/761	753/1021	6558/2975
115/35.05	.25/6.350	30.94/786	789/1069	6980/3166
120/36.58	.25/6.350	31.90/810	824/1117	7416/3364

MeyerLD STEEL POLES



STEEL CLASSIFICATION RUS S-09.0 | Meyer (12 SIDED) LD9

Total Pole Length (ft./m)	Plate Thickness (in./mm)	Base Dia. at Bearing Plate (in./mm) F-F	Groundline Moment (ft-kips/kN-m) F-F	Estimated Pole Weight (Black) (lbs./kg)
40/12.19	.25/6.350	18.52/470	287/389	1629/739
45/13.72	.25/6.350	19.59/498	327/444	1892/858
50/15.24	.25/6.350	20.67/525	368/499	2171/985
55/16.76	.25/6.350	21.12/536	408/553	2544/1154
60/18.29	.25/6.350	22.21/564	448/608	2846/1291
65/19.81	.25/6.350	23.28/591	488/662	3237/1468
70/21.34	.25/6.350	24.36/619	528/717	3567/1618
75/22.86	.25/6.350	25.43/646	568/771	3912/1774
80/24.38	.25/6.350	26.51/673	608/825	4271/1937
85/25.91	.25/6.350	27.59/701	649/879	4644/2106
90/27.43	.25/6.350	28.67/728	688/934	5034/2283
95/28.96	.25/6.350	29.74/755	728/988	5452/2473
100/30.48	.25/6.350	30.19/767	768/1042	6123/2777
105/32.00	.25/6.350	31.28/795	808/1096	6539/2966
110/33.53	.25/6.350	32.35/822	848/1150	6991/3171
115/35.05	.25/6.350	33.43/849	888/1204	7447/3378
120/36.58	.25/6.350	34.50/876	928/1258	7918/3592



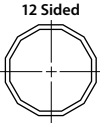
STEEL CLASSIFICATION RUS S-10.0 | Meyer (12 SIDED) LD10

Total Pole Length (ft./m)	Plate Thickness (in./mm)	Base Dia. at Bearing Plate (in./mm) F-F	Groundline Moment (ft-kips/kN-m) F-F	Estimated Pole Weight (Black) (lbs./kg)
40/12.19	.25/6.350	19.51/496	319/433	1713/777
45/13.72	.25/6.350	20.66/525	364/494	1992/904
50/15.24	.25/6.350	21.81/554	409/554	2286/1037
55/16.76	.25/6.350	22.33/567	453/615	2692/1221
60/18.29	.25/6.350	23.48/596	498/675	3009/1365
65/19.81	.25/6.350	24.62/625	543/736	3424/1553
70/21.34	.25/6.350	25.77/655	587/797	3772/1711
75/22.86	.25/6.350	26.92/684	632/857	4137/1877
80/24.38	.25/6.350	28.07/713	677/917	4511/2046
85/25.91	.25/6.350	29.21/742	721/978	4931/2237
90/27.43	.25/6.350	30.36/771	766/1038	5344/2424
95/28.96	.25/6.350	31.51/800	810/1098	5773/2619
100/30.48	.25/6.350	32.03/814	854/1159	6508/2952
105/32.00	.25/6.350	33.18/843	899/1219	6960/3157
110/33.53	.25/6.350	34.33/872	943/1279	7428/3369
115/35.05	.25/6.350	35.48/901	988/1339	7912/3589
120/36.58	.25/6.350	36.62/930	1032/1399	8413/3816

MeyerLD STEEL POLES

Top Diameter
= 11.50 in. (292.1mm)

TAPER



0.226993 in/ft (18.92mm/m)

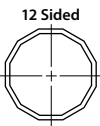
STEEL CLASSIFICATION RUS S-11.0 | Meyer (12 SIDED) LD11

Total Pole Length (ft./m)	Plate Thickness (in./mm)	Base Dia. at Bearing Plate (in./mm) F-F	Groundline Moment (ft-kips/kN-m) F-F	Estimated Pole Weight (Black) (lbs./kg)
40/12.19	.25/6.350	20.57/522	352/477	1843/836
45/13.72	.25/6.350	21.70/551	401/543	2136/969
50/15.24	.25/6.350	22.84/580	450/610	2444/1109
55/16.76	.25/6.350	23.36/593	499/677	2881/1307
60/18.29	.25/6.350	24.50/622	548/743	3213/1457
65/19.81	.25/6.350	25.63/651	597/810	3639/1651
70/21.34	.25/6.350	26.77/680	647/877	4002/1815
75/22.86	.25/6.350	27.90/709	696/943	4381/1987
80/24.38	.25/6.350	29.04/738	745/1010	4791/2173
85/25.91	.25/6.350	30.17/766	794/1076	5201/2359
90/27.43	.25/6.350	31.31/795	843/1143	5627/2552
95/28.96	.25/6.350	32.44/824	892/1209	6070/2753
100/30.48	.25/6.350	32.95/837	940/1275	6843/3104
105/32.00	.25/6.350	34.09/866	989/1341	7307/3314
110/33.53	.25/6.350	35.22/895	1038/1408	7788/3533
115/35.05	.25/6.350	36.36/924	1087/1474	8285/3758
120/36.58	.25/6.350	37.49/952	1136/1540	8796/3990

STEEL CLASSIFICATION RUS S-12.0 | Meyer (12 SIDED) LD12

Top Diameter
= 11.93 in. (303.0mm)

TAPER



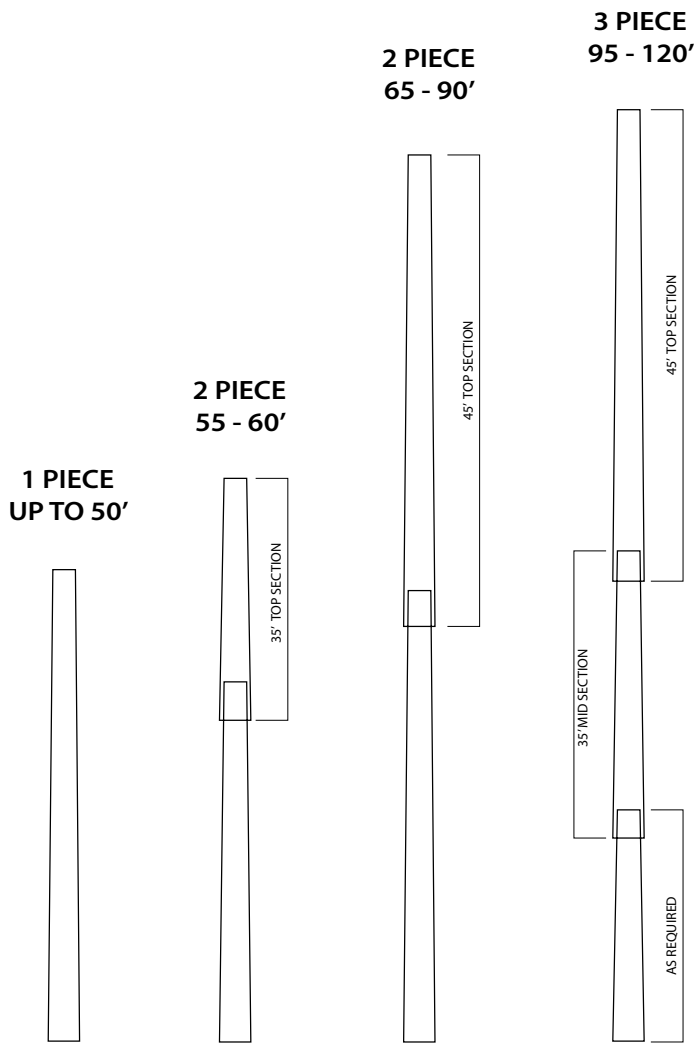
0.237618 in/ft (19.80mm/m)

Total Pole Length (ft./m)	Plate Thickness (in./mm)	Base Dia. at Bearing Plate (in./mm) F-F	Groundline Moment (ft-kips/kN-m) F-F	Estimated Pole Weight (Black) (lbs./kg)
40/12.19	.25/6.350	21.43/544	384/520	1920/871
45/13.72	.25/6.350	22.62/575	437/593	2225/1009
50/15.24	.25/6.350	23.81/605	491/666	2546/1155
55/16.76	.25/6.350	24.38/619	544/738	3010/1365
60/18.29	.25/6.350	25.57/649	598/811	3355/1522
65/19.81	.25/6.350	26.76/680	652/884	3805/1726
70/21.34	.25/6.350	27.94/710	705/957	4185/1898
75/22.86	.25/6.350	29.13/740	759/1029	4596/2085
80/24.38	.25/6.350	30.32/770	813/1102	5009/2272
85/25.91	.25/6.350	31.51/800	866/1174	5437/2466
90/27.43	.25/6.350	32.70/831	920/1247	5883/2668
95/28.96	.25/6.350	33.88/861	973/1319	6348/2879
100/30.48	.25/6.350	34.44/875	1026/1392	7168/3251
105/32.00	.25/6.350	35.63/905	1080/1464	7655/3472
110/33.53	.25/6.350	36.82/935	1133/1536	8162/3702
115/35.05	.25/6.350	38.01/965	1186/1609	8681/3938
120/36.58	.25/6.350*	39.20/996	1241/1682	10228/4639

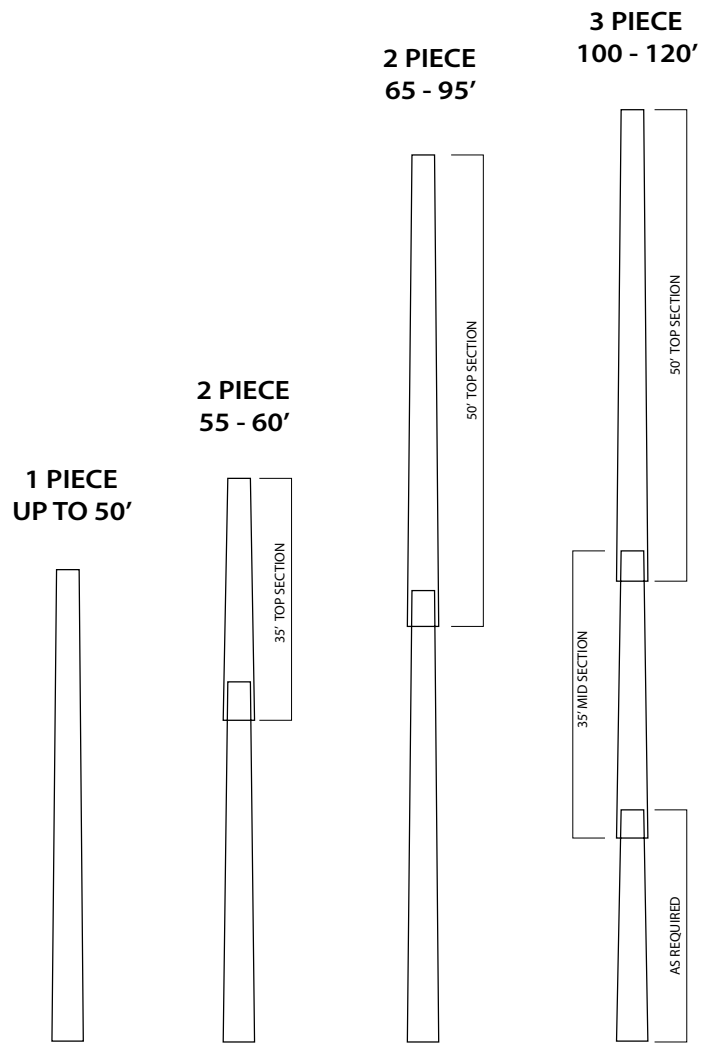
*Bottom section pl thickness = .3125/7.938

SLIP JOINT CONFIGURATION

Slip Joint Configuration (LD1 – LD6)



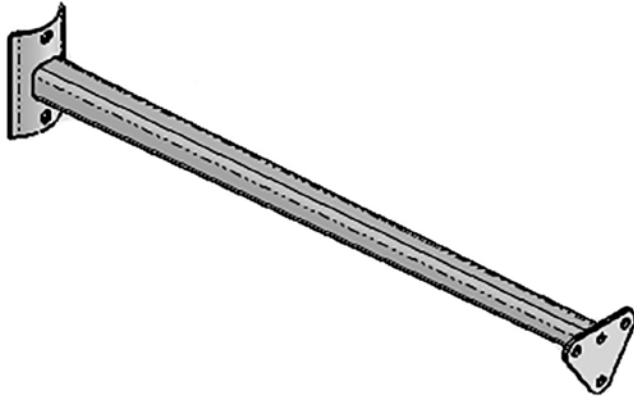
Slip Joint Configuration (LD7 – LD12)



In-service axial loads shall not exceed the maximum applied jacking force

STANDARD DAVIT ARMS

CURVED ARMS AVAILABLE UPON REQUEST ONLY



GENERAL NOTES

1. Material - ASTM A871 modified (self-weathering) painted or ASTM A572 modified (galvanized) $F_y=65$ ksi (448 MPa) with a Charpy V-Notch Impact Value of 15 foot-pounds (20.3 Joules) at $-20^\circ\text{F}/-29^\circ\text{C}$ (Heat Lot Tested).
2. Welds:
 - Long Seam - 50% Pentr
 - Bracket to Shaft - .375"/9.5mm Fillet
 - End Plate to Shaft - .1875"/4.76mm Fillet
3. All bolts - A325 Type III - 92 ksi (634 MPa).
4. All slots - 1.125"/28.6mm x 1.5"/38.1mm.
5. Arm and vang ratings represent hardware capacities only. It is the customer's responsibility to determine the capacity of pole to resist applied loads.
6. Arms should not be used for deadend or unbalanced conditions.
7. Steel davit arms shall not be left unloaded.
8. Catalog no. and description.

*Maximum loads shown in chart applied non-simultaneously.

For simultaneous load application:

$$M_L = L \times \text{Arm Length}$$

$$M_V = V \times \text{Arm Length} + (T \times W) + \frac{\text{Arm Weight} \times \text{Arm Length}}{2}$$

$$SR = \frac{M_L + M_V}{\text{Yield Strength}}$$

Check $SR \leq \text{Actual Section Modulus}$

NOTATION:

M_L = Longitudinal moment

M_V = Vertical moment

L = Longitudinal load

V = Vertical load

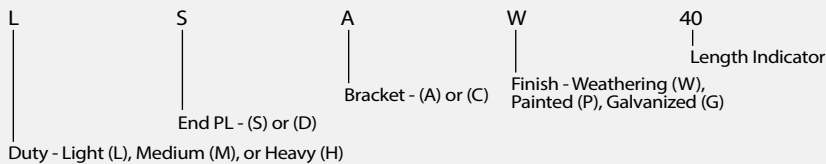
T = Transverse load

W = Rise (see tabulation)

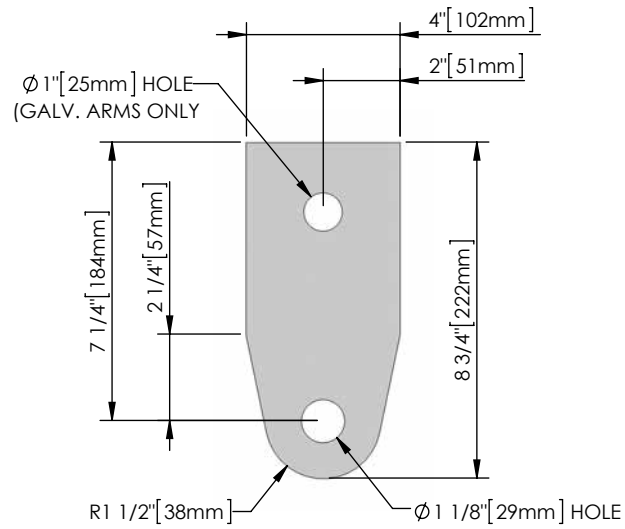
Arm Length units

SR = Required section modulus

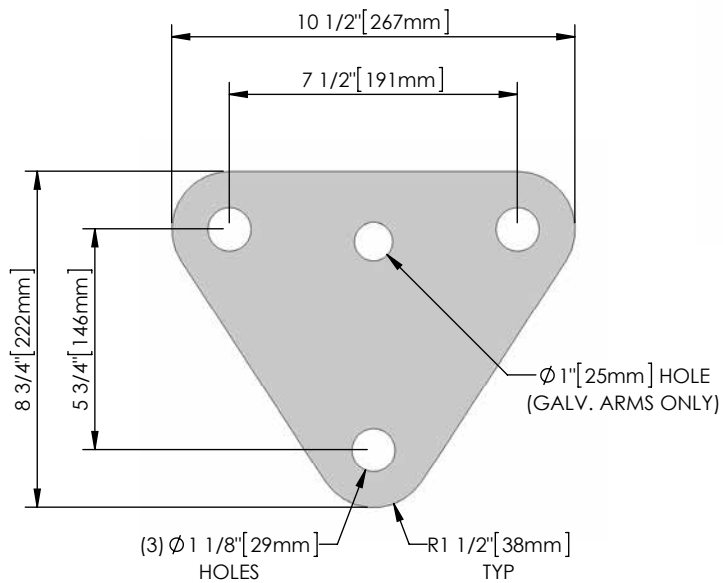
Actual section modulus listed in tabulation



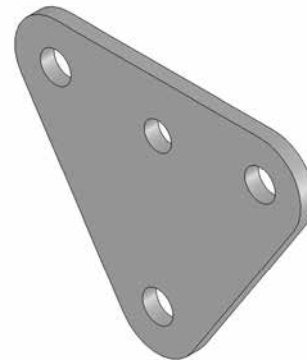
DAVIT ARM DETAILS



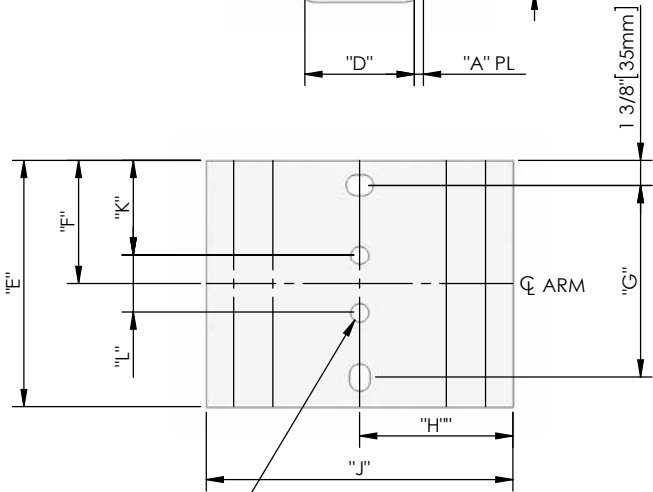
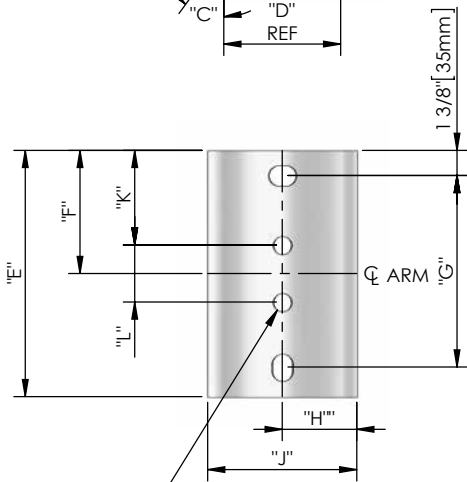
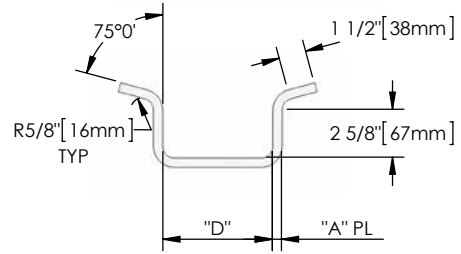
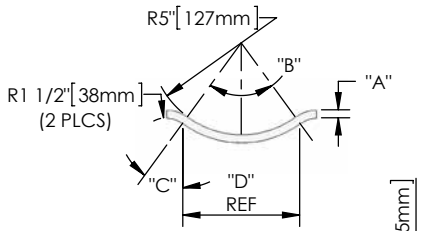
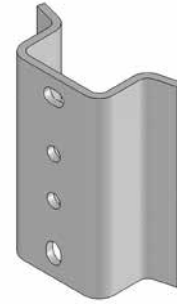
END PLATE 'S'



END PLATE 'D'



LD BRACKET DETAILS



(2) Ø 1" HOLES
(GALVANIZED ARMS ONLY)

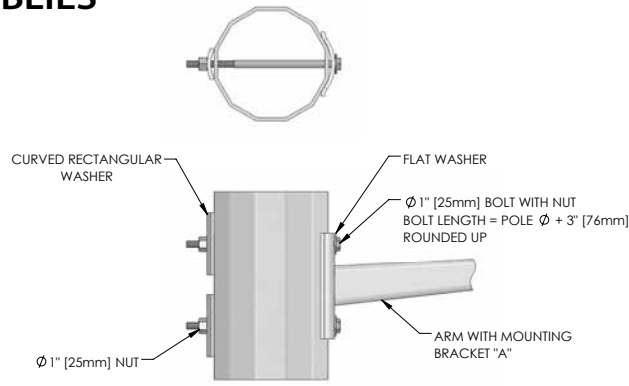
(2) Ø 1" [25mm] HOLES
(GALVANIZED ARMS ONLY)

**BRACKET 'A'
STANDARD**

**BRACKET 'C'
ALLOWS INDEPENDENT MOUNTING
OF TWO ARMS BACK TO BACK AT
ONE ELEVATION.**

PAINTED OR WEATHERING		GALVANIZED		DUTY	"A"	"B"	"C"	"D"	"E"	"F"	"G"	"H"	"J"	"K"	"L"
BRKT "A"	BRKT "C"	BRKT "A"	BRKT "C"												
69067	-----	69076	-----	LIGHT	7/16"	72.2°	36.1°	6 7/16"	13 1/2"	6 3/4"	10 1/2"	4 3/8"	8 3/4"	5 3/4"	2 1/8"
69068	-----	69077	-----	MEDIUM	7/16"	103.5°	51.7°	8 9/16"	19"	9 1/2"	16"	6 9/32"	12 9/16"	7 15/16"	3 1/8"
69069	-----	69078	-----	HEAVY	1/2"	103.5°	51.7°	8 5/8"	24"	9 1/2"	16"	6 11/32"	12 11/16"	7 7/16"	4 1/8"
	69073		69082	LIGHT	1/2"	-----	-----	4"	13 1/2"	6 3/4"	10 1/2"	7 13/32"	14 13/16"	5 11/16"	2 1/8"
	69074		69083	MEDIUM	1/2"	-----	-----	5"	19"	9 1/2"	16"	7 29/32"	15 13/16"	7 15/16"	3 1/8"
	69075		69084	HEAVY	1/2"	-----	-----	6"	24"	9 1/2"	16"	8 13/32"	16 13/16"	7 7/16"	4 1/8"

TYPICAL ARM ASSEMBLIES



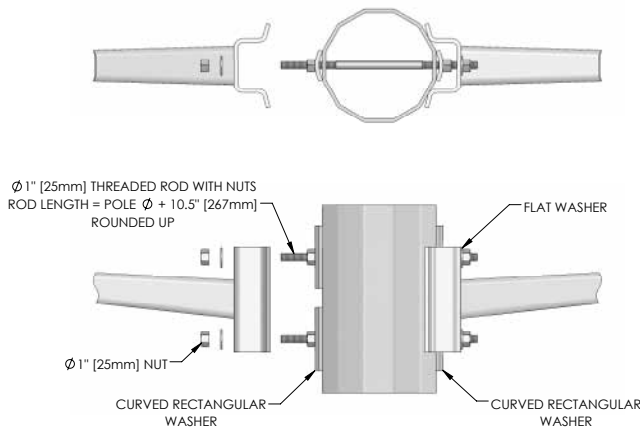
TYPE A
SINGLE ARM MOUNTING WITH STANDARD BRACKET
"A" SHOWN. FOR DOUBLE ARM MOUNTING,
THE CURVED WASHERS WOULD BE OMITTED.

Arm Bracket "A" Hardware

Weathering

Galvanized

Pole Diameter (flat x flat)	1"[25mm] Dia. Bolt with (1) 1"[25mm] Dia. Nut	1"[25mm] Dia. Flat Washer	Curved Rectangular Washer	Hardware Kit Number	1"[25mm] Dia. Bolt with (1) 1"[25mm] Dia. Nut	1"[25mm] Dia. Flat Washer	Curved Rectangular Washer	Hardware Kit Number
> 6.3in[159.5mm] ≤ 9.2in [233.1mm]	2 x 65413	2 x 74269	2 x 69066	HWK-AW095	2 x 78310	2 x 74115	2 x 69126	HWK-AG095
> 9.2in[233.1mm] ≤ 11.1in [282.1mm]	2 x 65415	2 x 74269	2 x 69066	HWK-AW115	2 x 78311	2 x 74115	2 x 69126	HWK-AG115
> 11.1in[282.1mm] ≤ 13.0in [331.2mm]	2 x 65417	2 x 74269	2 x 69066	HWK-AW135	2 x 78312	2 x 74115	2 x 69126	HWK-AG135
> 13.0in[331.2mm] ≤ 14.5in [368.0mm]	2 x 65419	2 x 74269	2 x 69066	HWK-AW150	2 x 78313	2 x 74115	2 x 69126	HWK-AG150
> 14.5in[368.0mm] ≤ 16.4in [417.1mm]	2 x 65421	2 x 74269	2 x 69066	HWK-AW170	2 x 78314	2 x 74115	2 x 69126	HWK-AG170
> 16.4in[417.1mm] ≤ 18.4in [466.1mm]	2 x 65423	2 x 74269	2 x 69066	HWK-AW190	2 x 78315	2 x 74115	2 x 69126	HWK-AG190
> 18.4in[466.1mm] ≤ 20.3in [515.2mm]	2 x 65425	2 x 74269	2 x 69066	HWK-AW210	2 x 78316	2 x 74115	2 x 69126	HWK-AG210
> 20.3in[515.2mm] ≤ 22.2in [564.3mm]	2 x 65427	2 x 74269	2 x 69066	HWK-AW230	2 x 78317	2 x 74115	2 x 69126	HWK-AG230
> 22.2in[564.3mm] ≤ 24.1in [613.3mm]	2 x 65429	2 x 74269	2 x 69066	HWK-AW250	2 x 78318	2 x 74115	2 x 69126	HWK-AG250



TYPE C
ARMS MAY BE INDEPENDENTLY MOUNTED.
DOUBLE ARM MOUNTING WITH OPTIONAL
BRACKET "C" SHOWN.
CURVED WASHERS REQUIRED.

Arm Bracket "C" Hardware

Weathering

Galvanized

Pole Diameter (flat x flat)	1"[25mm] Dia. Bolt with (2) 1"[25mm] Dia. Nuts	1"[25mm] Dia. Nuts (additional)	1"[25mm] Dia. Flat Washer	Curved Rectangular Washer	Hardware Kit Number	1"[25mm] Dia. Bolt with (2) 1"[25mm] Dia. Nuts	1"[25mm] Dia. Nuts (additional)	1"[25mm] Dia. Flat Washer	Curved Rectangular Washer	Hardware Kit Number
> 6.3in[159.5mm] ≤ 9.2in [233.1mm]	2 x 66419	4 x 72940	4 x 74269	4 x 69066	HWK-CW095	2 x 78330	4 x 73442	4 x 74115	4 x 69126	HWK-CG095
> 9.2in[233.1mm] ≤ 11.1in [282.1mm]	2 x 66421	4 x 72940	4 x 74269	4 x 69066	HWK-CW115	2 x 78331	4 x 73442	4 x 74115	4 x 69126	HWK-CG115
> 11.1in[282.1mm] ≤ 13.0in [331.2mm]	2 x 66423	4 x 72940	4 x 74269	4 x 69066	HWK-CW135	2 x 78332	4 x 73442	4 x 74115	4 x 69126	HWK-CG135
> 13.0in[331.2mm] ≤ 14.5in [368.0mm]	2 x 66425	4 x 72940	4 x 74269	4 x 69066	HWK-CW150	2 x 78333	4 x 73442	4 x 74115	4 x 69126	HWK-CG150
> 14.5in[368.0mm] ≤ 16.4in [417.1mm]	2 x 66427	4 x 72940	4 x 74269	4 x 69066	HWK-CW170	2 x 78334	4 x 73442	4 x 74115	4 x 69126	HWK-CG170
> 16.4in[417.1mm] ≤ 18.4in [466.1mm]	2 x 66429	4 x 72940	4 x 74269	4 x 69066	HWK-CW190	2 x 78335	4 x 73442	4 x 74115	4 x 69126	HWK-CG190
> 18.4in[466.1mm] ≤ 19.8in [502.9mm]	2 x 66431	4 x 72940	4 x 74269	4 x 69066	HWK-CW205	2 x 78336	4 x 73442	4 x 74115	4 x 69126	HWK-CG210
> 19.8in[502.9mm] ≤ 21.7in [552.0mm]	2 x 66433	4 x 72940	4 x 74269	4 x 69066	HWK-CW225	2 x 78337	4 x 73442	4 x 74115	4 x 69126	HWK-CG230
> 21.7in[552.0mm] ≤ 23.7in [601.1mm]	2 x 66435	4 x 72940	4 x 74269	4 x 69066	HWK-CW245	2 x 78338	4 x 73442	4 x 74115	4 x 69126	HWK-CG250

STANDARD DAVIT ARMS

LIGHT DUTY ARMS

PLATE THICKNESS = .1875"/4.76mm - 65 KSI (448 MPa) SMALL END SQUARE = 3"/76.2mm, LARGE END SQUARE = 4"/101.6mm, SECTION MODULUS = 2.803in³/45.94cm³

CATALOG NO.	ARM LENGTH	ARM WEIGHT	ARM RISE	*V Lbs/V Kg	*T Lbs/T Kg	* L Lbs/L Kg
L_40	4 ft/1.22m	68 Lbs/31 Kg	4 in/102mm	3,745/1,698	2,500/1,134	1,250/567
L_45	4.5 ft/1.37m	72 Lbs/33 Kg	4.5 in/114mm	3,323/1,507	2,500/1,134	1,111/504
L_50	5 ft/1.52m	76 Lbs/35 Kg	5 in/127mm	2,986/1,354	2,500/1,134	1,000/454
L_55	5.5 ft/1.68m	80 Lbs/37 Kg	5.5 in/140mm	2,710/1,229	2,500/1,134	909/412
L_60	6 ft/1.83m	84 Lbs/39 Kg	6 in/152mm	2,480/1,125	2,500/1,134	833/378
L_65	6.5 ft/1.98m	88 Lbs/40 Kg	6.5 in/165mm	2,285/1,036	2,500/1,134	769/349
L_70	7 ft/2.13m	92 Lbs/42 Kg	7 in/178mm	2,118/961	2,500/1,134	714/324
L_75	7.5 ft/2.29m	96 Lbs/44 Kg	7.5 in/191mm	1,974/895	2,500/1,134	667/303
L_80	8 ft/2.44m	99 Lbs/45 Kg	8 in/203mm	1,847/838	2,500/1,134	625/283
L_85	8.5 ft/2.59m	103 Lbs/47 Kg	8.5 in/216mm	1,736/787	2,500/1,134	588/267
L_90	9 ft/2.74m	107 Lbs/49 Kg	9 in/229mm	1,636/742	2,500/1,134	556/252
L_95	9.5 ft/2.90m	111 Lbs/51 Kg	9.5 in/241mm	1,548/702	2,500/1,134	526/239
L_10	10 ft/3.05m	115 Lbs/53 Kg	10 in/254mm	1,468/666	2,500/1,134	500/227

MEDIUM DUTY ARMS

PLATE THICKNESS = .1875"/4.76mm - 65 KSI (448 MPa) SMALL END SQUARE = 3"/76.2mm, LARGE END SQUARE = 5"/127mm, SECTION MODULUS = 4.783in³/78.39cm³

CATALOG NO.	ARM LENGTH	ARM WEIGHT	ARM RISE	*V Lbs/V Kg	*T Lbs/T Kg	* L Lbs/L Kg
M_40	4 ft/1.22m	88 Lbs/40 Kg	4 in/102mm	6,421/2,913	4,000/1,814	1,250/567
M_45	4.5 ft/1.37m	93 Lbs/42 Kg	4.5 in/114mm	5,702/2,586	4,000/1,814	1,111/504
M_50	5 ft/1.52m	97 Lbs/44 Kg	5 in/127mm	5,126/2,325	4,000/1,814	1,000/454
M_55	5.5 ft/1.68m	102 Lbs/46 Kg	5.5 in/140mm	4,655/2,112	4,000/1,814	909/412
M_60	6 ft/1.83m	106 Lbs/48 Kg	6 in/152mm	4,262/1,932	4,000/1,814	833/378
M_65	6.5 ft/1.98m	111 Lbs/50 Kg	6.5 in/165mm	3,930/1,783	4,000/1,814	769/349
M_70	7 ft/2.13m	115 Lbs/52 Kg	7 in/178mm	3,646/1,654	4,000/1,814	714/324
M_75	7.5 ft/2.29m	120 Lbs/54 Kg	7.5 in/191mm	3,399/1,542	4,000/1,814	667/303
M_80	8 ft/2.44m	124 Lbs/56 Kg	8 in/203mm	3,183/1,444	4,000/1,814	625/283
M_85	8.5 ft/2.59m	129 Lbs/59 Kg	8.5 in/216mm	2,992/1,357	4,000/1,814	588/267
M_90	9 ft/2.74m	133 Lbs/61 Kg	9 in/229mm	2,823/1,281	4,000/1,814	556/252
M_95	9.5 ft/2.90m	138 Lbs/63 Kg	9.5 in/241mm	2,672/1,212	4,000/1,814	526/239
M_10	10 ft/3.05m	142 Lbs/65 Kg	10 in/254mm	2,535/1,150	4,000/1,814	500/227

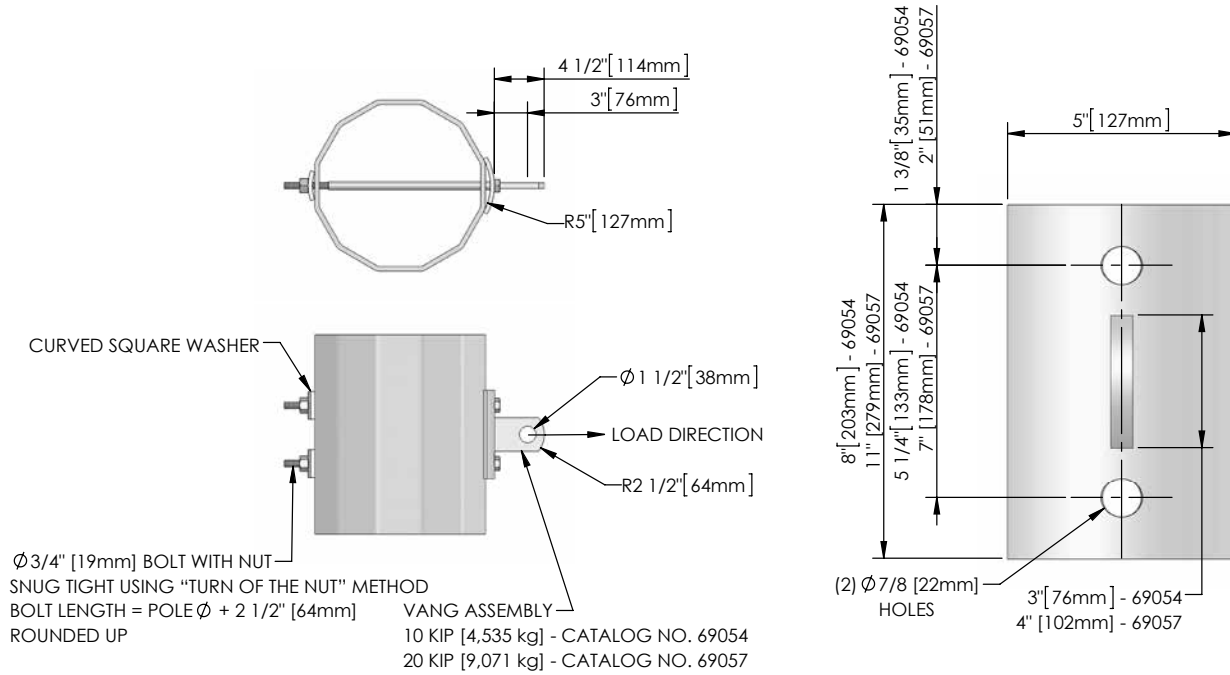
HEAVY DUTY ARMS

PLATE THICKNESS = .1875"/4.76mm - 65 KSI (448 MPa) SMALL END SQUARE = 3.5"/88.9mm, LARGE END SQUARE = 6"/152mm, SECTION MODULUS = 7.267in³/119.11cm³

CATALOG NO.	ARM LENGTH	ARM WEIGHT	ARM RISE	*V Lbs/V Kg	*T Lbs/T Kg	* L Lbs/L Kg
H_40	4 ft/1.22m	111 Lbs/50 Kg	4 in/102mm	9,780/4,436	4,000/1,814	1,250/567
H_45	4.5 ft/1.37m	116 Lbs/53 Kg	4.5 in/114mm	8,687/3,940	4,000/1,814	1,111/504
H_50	5 ft/1.52m	122 Lbs/55 Kg	5 in/127mm	7,812/3,544	4,000/1,814	1,000/454
H_55	5.5 ft/1.68m	127 Lbs/58 Kg	5.5 in/140mm	7,096/3,219	4,000/1,814	909/412
H_60	6 ft/1.83m	133 Lbs/60 Kg	6 in/152mm	6,560/2,976	4,000/1,814	833/378
H_65	6.5 ft/1.98m	138 Lbs/63 Kg	6.5 in/165mm	5,995/2,719	4,000/1,814	769/349
H_70	7 ft/2.13m	143 Lbs/65 Kg	7 in/178mm	5,563/2,523	4,000/1,814	714/324
H_75	7.5 ft/2.29m	149 Lbs/68 Kg	7.5 in/191mm	5,188/2,353	4,000/1,814	667/303
H_80	8 ft/2.44m	155 Lbs/70 Kg	8 in/203mm	4,860/2,205	4,000/1,814	625/283
H_85	8.5 ft/2.59m	160 Lbs/73 Kg	8.5 in/216mm	4,570/2,073	4,000/1,814	588/267
H_90	9 ft/2.74m	165 Lbs/75 Kg	9 in/229mm	4,313/1,956	4,000/1,814	556/252
H_95	9.5 ft/2.90m	172 Lbs/78 Kg	9.5 in/241mm	4,083/1,852	4,000/1,814	526/239
H_10	10 ft/3.05m	177 Lbs/81 Kg	10 in/254mm	3,876/1,758	4,000/1,814	500/227

**Note: Listed load capacities are for arm shafts, brackets, through bolts and endplates only.
Pole strength and localized effects on the pole are not included.**

STANDARD BOLT ON HARDWARE – 10 KIP AND 20 KIP

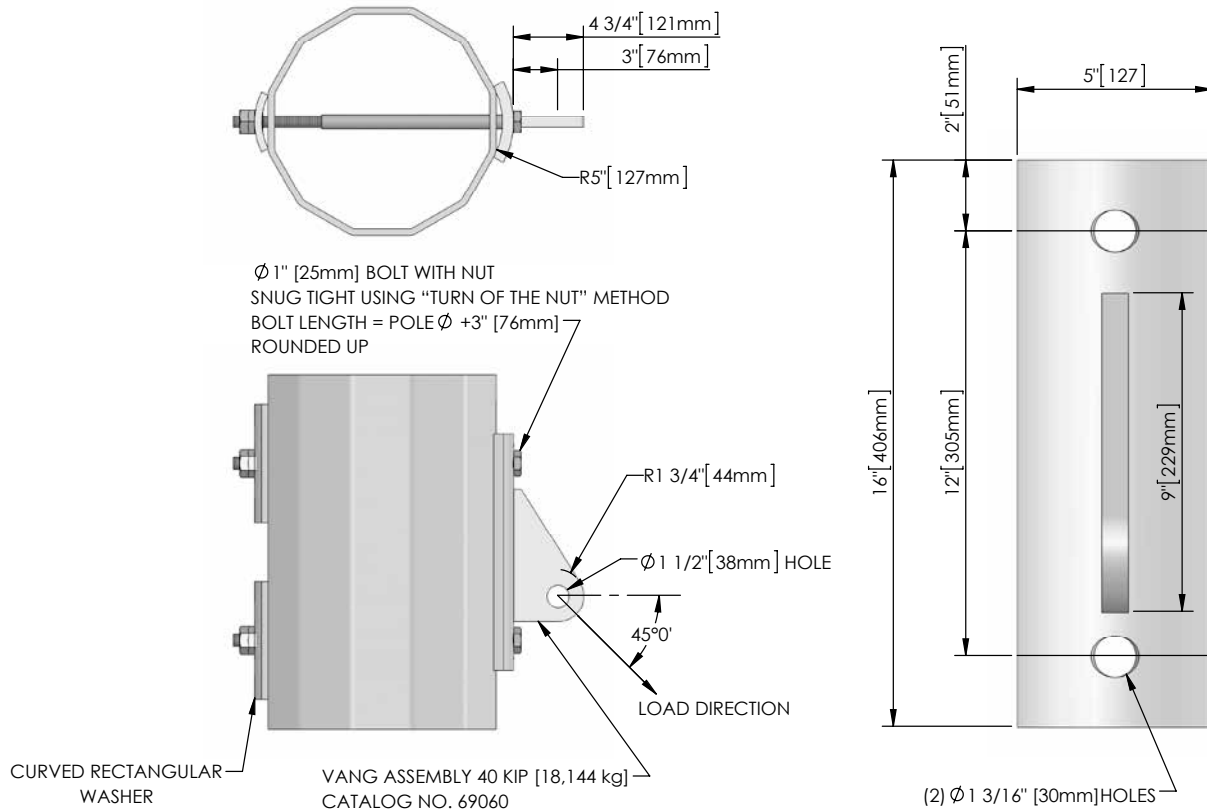


10 KIP and 20 KIP Vang Assembly Hardware

Pole Diameter (flat x flat)	Weathering			Galvanized			
	3/4"[19mm] Dia. Bolt and Nut	3/4"[19mm] Dia. Curved Square Washer	Assembly Number	3/4"[44mm] Dia. Bolt and Nut	3/4"[19mm] Dia. Curved Square Washer	Lock Washer	Assembly Number
> 8.2in[208.5mm] ≤ 10.1in [257.6mm]	2 x 65313	2 x 69064	HWK-W10K105	2 x 69343	2 x 69139	2 x 74125	HWK-G10K105
> 10.1in[257.6mm] ≤ 12.1in [306.7mm]	2 x 65315	2 x 69064	HWK-W10K125	2 x 69345	2 x 69139	2 x 74125	HWK-G10K125
> 12.1in[306.7mm] ≤ 14.0in [355.7mm]	2 x 65317	2 x 69064	HWK-W10K145	2 x 69347	2 x 69139	2 x 74125	HWK-G10K145
> 14.0in[355.7mm] ≤ 15.9in [404.8mm]	2 x 65319	2 x 69064	HWK-W10K165	2 x 69349	2 x 69139	2 x 74125	HWK-G10K165
> 15.9in[404.8mm] ≤ 17.9in [453.9mm]	2 x 65321	2 x 69064	HWK-W10K185	2 x 69351	2 x 69139	2 x 74125	HWK-G10K185
> 17.9in[453.9mm] ≤ 19.8in [502.9mm]	2 x 65323	2 x 69064	HWK-W10K205	2 x 69353	2 x 69139	2 x 74125	HWK-G10K205
> 19.8in[502.9mm] ≤ 21.7in [552.0mm]	2 x 65325	2 x 69064	HWK-W10K225	2 x 69355	2 x 69139	2 x 74125	HWK-G10K225
> 21.7in[552.0mm] ≤ 23.7in [601.1mm]	2 x 65327	2 x 69064	HWK-W10K245	2 x 69357	2 x 69139	2 x 74125	HWK-G10K245
> 23.7in[601.1mm] ≤ 25.6in [650.1mm]	2 x 65329	2 x 69064	HWK-W10K265	2 x 69359	2 x 69139	2 x 74125	HWK-G10K265

NOTE: 10 KIP/ 20 KIP Capacity represents the ultimate capacity of the vang assembly, which includes the vang, through bolts, and curved washers. Pole strength and localized effects are not included.

STANDARD BOLT ON HARDWARE – 40 KIP



40 KIP Vang Assembly Hardware

Weathering

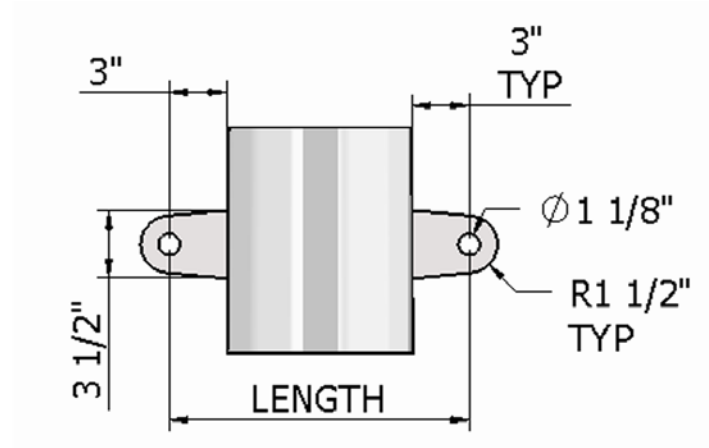
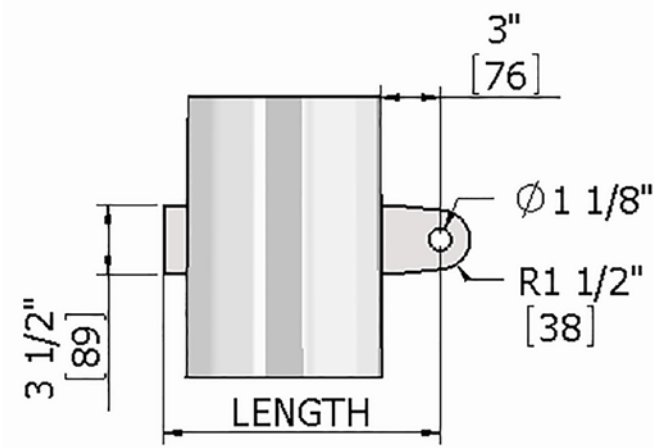
Galvanized

Pole Diameter (flat x flat)	1" [25mm] Dia. Bolt and Nut	1" [25mm] Dia. Curved Square Washer	Assembly Number		1" [25mm] Dia. Bolt and Nut	1" [25mm] Dia. Curved Rectangular Washer	Lock Washer	Assembly Number
> 7.7in[196.3mm] ≤ 9.7in[245.3mm]	2 x 65413	2 x 69066	HWK-W40K010		2 x 78310	2 x 69126	2 x 74120	HWK-G40K010
> 9.7in[245.3mm] ≤ 11.6in[294.4mm]	2 x 65415	2 x 69066	HWK-W40K012		2 x 78311	2 x 69126	2 x 74120	HWK-G40K012
> 11.6in[294.4mm] ≤ 13.5in[343.5mm]	2 x 65417	2 x 69066	HWK-W40K014		2 x 78312	2 x 69126	2 x 74120	HWK-G40K014
> 13.5in[343.5mm] ≤ 15.5in[392.5mm]	2 x 65419	2 x 69066	HWK-W40K016		2 x 78313	2 x 69126	2 x 74120	HWK-G40K016
> 15.5in[392.5mm] ≤ 17.4in[441.6mm]	2 x 65421	2 x 69066	HWK-W40K018		2 x 78314	2 x 69126	2 x 74120	HWK-G40K018
> 17.4in[441.6mm] ≤ 19.3in[490.7mm]	2 x 65423	2 x 69066	HWK-W40K020		2 x 78315	2 x 69126	2 x 74120	HWK-G40K020
> 19.3in[490.7mm] ≤ 21.2in[539.7mm]	2 x 65425	2 x 69066	HWK-W40K022		2 x 78316	2 x 69126	2 x 74120	HWK-G40K022
> 21.2in[539.7mm] ≤ 23.2in[588.8mm]	2 x 65427	2 x 69066	HWK-W40K024		2 x 78317	2 x 69126	2 x 74120	HWK-G40K024
> 23.2in[588.8mm] ≤ 25.1in[637.9mm]	2 x 65429	2 x 69066	HWK-W40K026		2 x 78318	2 x 69126	2 x 74120	HWK-G40K026

NOTE: 40 KIP Capacity represents the ultimate capacity of the vang assembly, which includes the vang, through bolts, and curved washers. Pole strength and localized effects are not included.

STANDARD THROUGH VANG

OVERSIZED 6" HEIGHT VANG AVAILABLE UPON REQUEST ONLY



One-Sided Through Vang

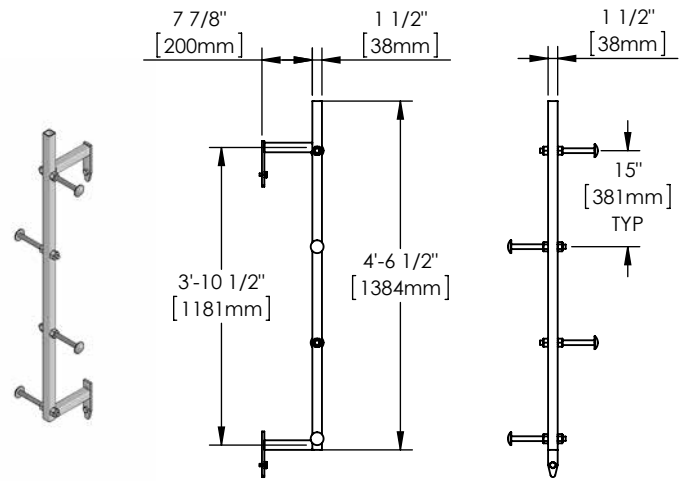
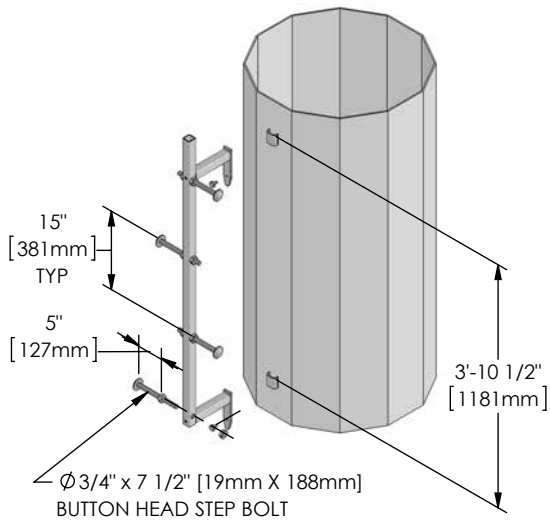
Length	Thickness	Galvanized Part No.	Weathering Part No.
13.5"	0.75"	80323	80324
15.5"	0.75"	80326	80327
17.5"	0.75"	80328	80329
19.5"	0.75"	80330	80331
21.5"	0.75"	80332	80335
23.5"	0.75"	80336	80337
25.5"	0.75"	80342	80343
27.5"	0.75"	80344	80345
29.5"	0.75"	80346	80347
31.5"	0.75"	80348	80350
33.5"	0.75"	80351	80352

Two-Sided Through Vang

Length	Thickness	Galvanized Part No.	Weathering Part No.
15.5"	0.75"	80353	80354
17.5"	0.75"	80355	80356
19.5"	0.75"	80357	80358
21.5"	0.75"	80380	80381
23.5"	0.75"	80382	80383
25.5"	0.75"	80384	80385
27.5"	0.75"	80386	80387
29.5"	0.75"	80388	80389
31.5"	0.75"	80390	80391
33.5"	0.75"	80392	80393
35.5"	0.75"	80394	80395

Length assumes distance from hole to hole with diameters starting at 9.5", increasing 2" with each additional vang length.

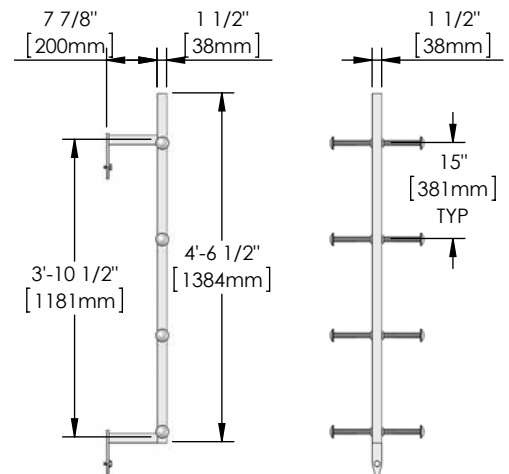
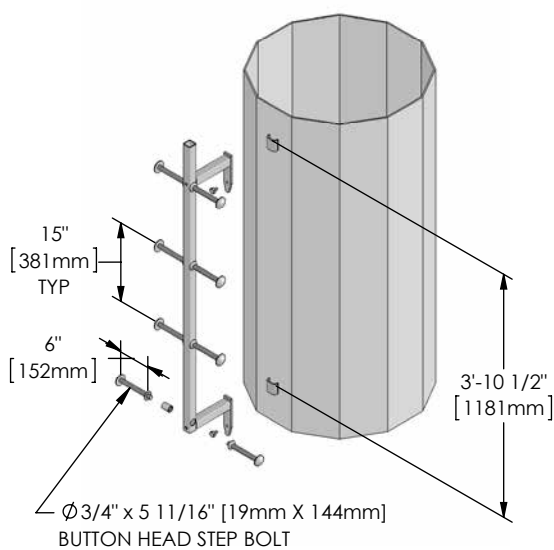
STANDARD LADDERS



STANDARD CLIMBING LADDER

CATALOG NO. 69342 - WEATHERING

CATALOG NO. 50921 - GALVANIZED

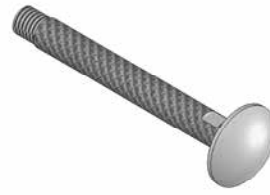
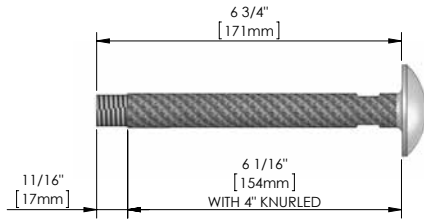


STANDARD WORKING LADDER

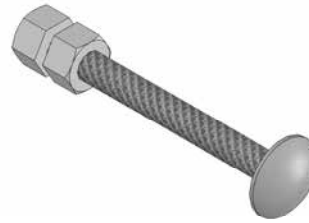
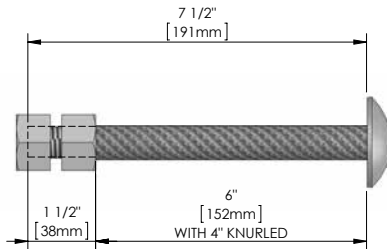
CATALOG NO. 69344 - WEATHERING

CATALOG NO. 52540 - GALVANIZED

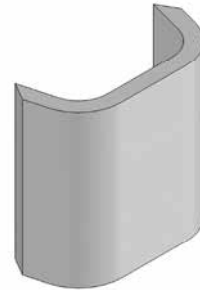
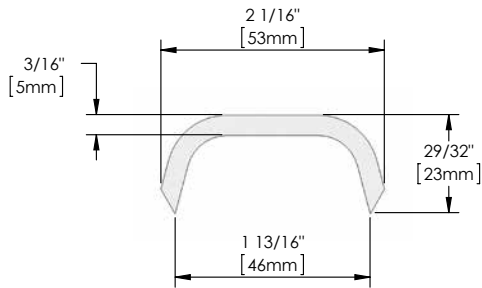
CLIMBING HARDWARE



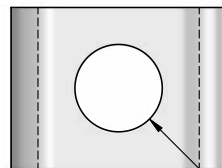
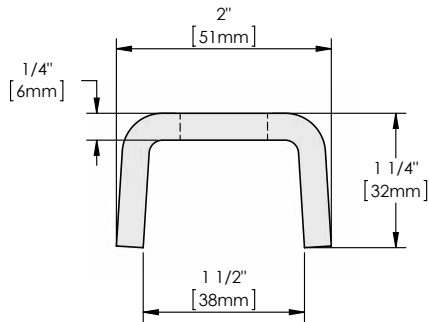
STANDARD STEP BOLT
 CATALOG NO. 70860 - WEATHERING
 CATALOG NO. 70859 - GALVANIZED



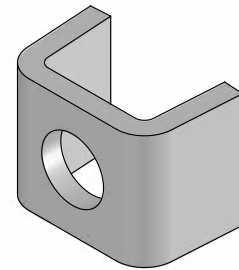
STANDARD STEP BOLT - 3/4" DIA
 CATALOG NO. 79087 - WEATHERING
 CATALOG NO. 79097 - GALVANIZED



STANDARD LADDER CLIP
 (ALL FINISHES)
 CATALOG NO. 76266

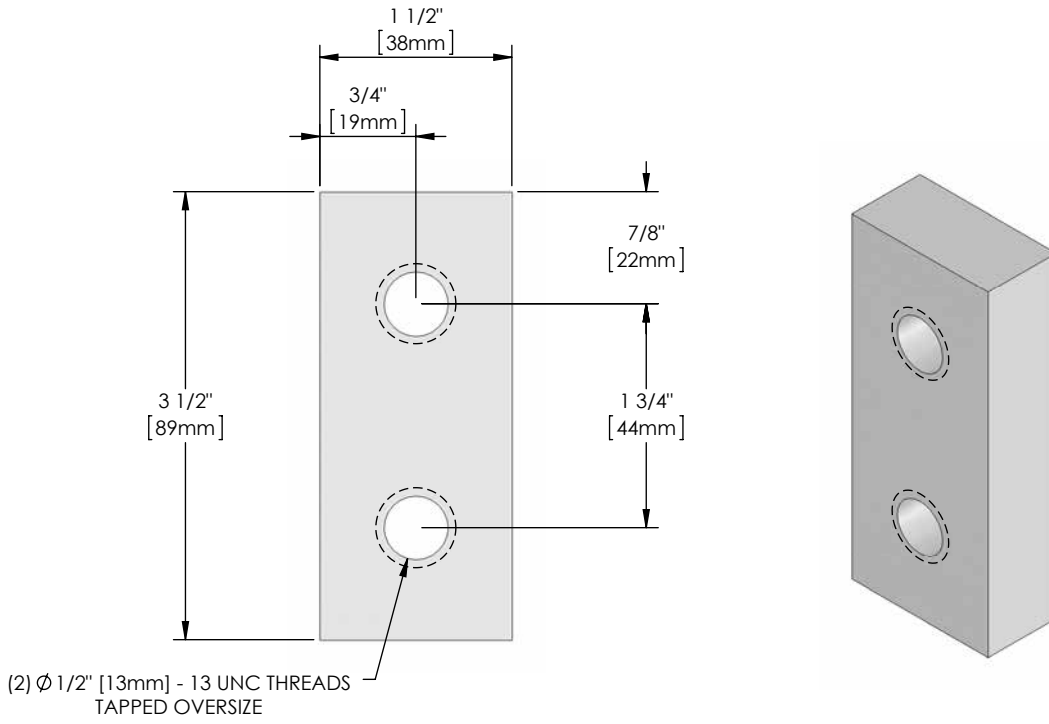


Ø 13/16"
 [21mm]
 HOLE

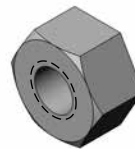
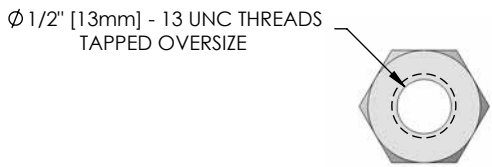


STANDARD STEP LUG
 FOR 3/4" [19mm] STEP BOLT
 (ALL FINISHES)
 CATALOG NO. 78086

GROUNDING OPTIONS



S.S. GROUND PAD - 2 HOLE
CATALOG NO. 78131



ϕ 1/2" [13mm] S.S. GROUND NUT
CATALOG NO. 73515

TERMS AND CONDITIONS OF SALE

MEYER UTILITY STRUCTURES

Terms and Conditions of Sale - Effective 10-15-2018

These Terms and Conditions shall govern all transactions between Meyer Utility Structures, LLC ("MEYER") and any buyer or potential buyer (the "Buyer") placing orders for or otherwise purchasing products (the "Products") from MEYER. Any terms or conditions proposed or referenced in any purchase order or other document presented by Buyer that add to, vary from, or conflict with the terms herein are hereby rejected. Notwithstanding any contrary language in Buyer's purchase order or any other document purporting to set forth any additional or different terms or conditions governing the purchase and sale of the Products, these Terms and Conditions set forth the full and final expression of the complete agreement and contract of sale of Products by MEYER to Buyer. No modification of these Terms and Conditions shall be binding on MEYER unless specifically approved in writing in a written agreement signed by an authorized representative of MEYER. To the extent that the submission of any bid or quotation, or the furnishing of any Products by MEYER could be considered to operate as an acceptance of any prior terms or conditions published by Buyer, such bid, quotation or furnishing of such Products is expressly made on the condition that Buyer assents to these Terms and Conditions. Buyer specifically acknowledges that the pricing of the Products has been set based on the agreed allocation of risks contained in these Terms and Conditions. If, notwithstanding the provisions of these Terms and Conditions, a court of competent jurisdiction determines that different or additional terms and conditions apply to an order, then MEYER shall have the right to retroactively modify the prices to reflect the additional level of risk and responsibility that MEYER assumes under such additional or different terms.

1) Delivery, Title, Risk of Loss

Unless otherwise stated in MEYER's proposal or specifically agreed by MEYER in writing, all Products are sold FOB Shipping Point, freight prepaid and allowed, using carriers selected by MEYER and with shipping and handling charges included in the price of the Products. Title to and risk of loss in the Products will pass to Buyer at the FOB point.

2) Payment Terms

Payment terms for partial and complete shipments are net 30 days from date of invoice. Except as provided in paragraph 9 below, Products are invoiced upon shipment. Buyer agrees to pay a finance charge of one and one-half percent per month (or at the highest rate allowed by law, whichever is less) on all past due balances.

3) Delivery Schedules/Delays

All delivery commitments by MEYER are good faith estimates based upon current information available from our suppliers at the time the dates for delivery are established. Delivery of the Products is conditioned upon prompt receipt of Buyer's order. Quoted delivery times are subject to prior sales and raw material availability. MEYER shall not be liable for any delay or failure to perform or deliver, in whole or in part, due to: (i) conditions, circumstances, or events beyond MEYER's reasonable control, including but not limited to legal orders, acts of war, acts of terrorism, embargoes, boycotts, blockades, acts of God, unusual weather conditions, fire, accident, explosion, mill shutdowns, unavailability of transportation, unavailability of raw materials, fuel shortages, default by suppliers, and the enactment or implementation of any law, regulation, order, or decree that is not in effect at the time the order is placed; or (ii) any act or failure to act by Buyer or Buyer's agents, contractors, or representatives.

4) Taxes

Product prices do not include any taxes. Buyer shall be solely responsible for the payment of any and all sales taxes, ad valorem taxes, value added taxes, goods and services taxes, use taxes, excise taxes, tariffs, import duties, export duties, and other taxes, fees and charges imposed by any governmental authority, whether foreign or domestic, upon any Product purchased and sold hereunder or upon the manufacture, sale, transfer, transportation, use or delivery thereof. The amount of any such present, future or retroactive taxes, fees, and charges required to be collected by MEYER will be invoiced by MEYER, and Buyer agrees to pay the same, except to the extent that Buyer has furnished MEYER with an exemption certificate acceptable to the appropriate taxing authorities.

5) Inspection and Acceptance

Buyer may inspect the Products during business hours at MEYER's facility on reasonable notice to MEYER, provided such inspection does not unreasonably interfere with MEYER's operations. Buyer agrees to inspect the Products promptly following receipt, and will report to MEYER any shortage, damage or visually detectable discrepancy within 30 days following receipt of delivery. All claims for shortages, damage and visually detectable discrepancies not reported to MEYER in writing within such 30 day period are waived by Buyer.

6) Compliance with Laws

In connection with the transactions governed by these Terms and Conditions, Buyer and MEYER agree and covenant that they will each comply with all applicable laws and regulations of the United States and all other foreign state and local jurisdictions regarding the manufacture, marketing, sale, resale, use, export and distribution of the Products, including, but not limited to, the U.S. export control laws and the U.S. Foreign Corrupt Practices Act.

7) Warranty

MEYER warrants that Products are being sold to Buyer free and clear of any encumbrances arising through MEYER. In addition, MEYER warrants that all Products will conform to any mutually agreed specifications for the Products and will otherwise be free from defects in materials and workmanship for a period ending on the earlier of 12 months from the date of installation or 18 months from the date of shipment. MEYER will, at its option, repair or replace any Product that is not in conformance with the foregoing warranties. MEYER will arrange transportation for the return of warranted Products and any replacement Products, and will be responsible for payment for such transportation arranged by MEYER. MEYER will have no liability for any costs, losses, expenses or damages beyond the cost of repair or replacement, and transportation arranged by MEYER. Any repair or replacement by MEYER shall not extend the original warranty period. MEYER's obligations under all warranties shall be waived if Buyer fails to (i) provide MEYER written notice of Buyer's specific warranty claim and the Product(s) affected within the warranty period, and (ii) provide MEYER with reasonable opportunity to inspect the Product(s) that are the subject of Buyer's warranty claim. If any technical advice is furnished by MEYER with respect to Buyer's specifications or use of the Products, MEYER assumes no obligation or liability for the advice given, or results obtained, with all such advice being given and accepted at Buyer's risk.

Other than the warranty of title, the warranties herein do not apply under any circumstances to: (i) any type of corrosion, irrespective of the cause; (ii) damage due to normal wear and tear, misuse, mishandling, or accident; (iii) any Product that has been modified or repaired by a party other than MEYER without MEYER's specific prior approval; (iv) any Product that has not been installed or maintained in accordance with MEYER's erection drawings or prudent industry practices; or (v) any Product that has experienced loading in excess of the maximum factored design loads or fatigue damage due to dynamic or cyclic loading.

THE WARRANTIES AND REMEDIES STATED HEREIN ARE MEYER'S SOLE WARRANTIES GIVEN WITH RESPECT TO THE PRODUCTS AND BUYER'S SOLE REMEDIES FOR ANY FAILURE OF THE PRODUCTS TO CONFORM TO SUCH WARRANTIES. THESE WARRANTIES ARE IN LIEU OF AND EXCLUDE ALL OTHER WARRANTIES, GUARANTEES AND REMEDIES, WHETHER EXPRESS OR IMPLIED, INCLUDING THE IMPLIED WARRANTIES OF MERCHANTABILITY AND FITNESS FOR A PARTICULAR PURPOSE, WHICH ARE HEREBY SPECIFICALLY DISCLAIMED.

8) Indemnification

MEYER and Buyer will defend and indemnify one another and their respective directors, officers and employees against any and all claims, losses, liability, damages, or expenses incurred on the account of any injury or death to persons and damage to property, to the extent such injury, death or damage is caused by or attributable to a party's negligence or willful misconduct in connection with the Products or the transactions to which these Terms and Conditions apply. Neither MEYER nor Buyer shall be obligated to indemnify one another in any manner whatsoever for the other party's own negligence or willful misconduct, or for the negligence or willful misconduct of others.

MEYER will defend any suit or proceeding brought against Buyer to the extent that such suit or proceeding is based on a claim that any Product purchased by Buyer or any part thereof constitutes an infringement of any United States patent issued as of the date of MEYER's quotation or proposal. MEYER shall have no obligation of defense or indemnity to the extent that any alleged infringement is attributable to any design or other special requirement specified by Buyer.

TERMS AND CONDITIONS OF SALE

In the event that a Product for which MEYER has an obligation to indemnify Buyer hereunder, or part thereof, is held to infringe a patent and the use thereof is enjoined, MEYER shall, at its expense and option, either (a) obtain for Buyer the right to continue using such Product or part, (b) replace the Product or part with a Product or part that is non-infringing, (c) modify the Product or part so that it becomes non-infringing, or (d) accept the return of the Product and refund the purchase price, less applicable depreciation.

9) Modification; Cancellation; Delay by Buyer

No order accepted by MEYER may be modified or cancelled by Buyer except upon MEYER's prior written approval. In the case of any request for changes to an order, including, but not limited to changes in delivery dates, increases in quantities, and modifications to Products, MEYER's approval shall be conditioned upon Buyer's agreement to MEYER's revised pricing and dates of delivery for the Products affected thereby, including charges for any work or materials rendered unnecessary by such changes, and anticipated inventory carrying costs to be incurred by MEYER as a result of such changes. In the case of any request for cancellation of all or any portion of an order by Buyer, MEYER shall be adequately compensated by Buyer for all work, materials and overhead expended in connection with the cancelled Products, which amount shall be based upon the degree of completion of the cancelled Products at the time of cancellation; provided, however, that the minimum cancellation charge, regardless of degree of completion, shall be 15% of the price of the cancelled Products.

If MEYER is delayed in or prevented from performing any of its obligations due to the acts or omissions of Buyer or its agents or contractors (including but not limited to failure to provide prompt drawing approvals and/or such other information as MEYER reasonably requires to proceed expeditiously with its obligations under the order), delivery dates and Product prices may be adjusted by MEYER to reflect then current delivery schedules and raw material costs.

If, having been notified when the Products will be ready for shipment, Buyer fails to provide adequate delivery instructions, fails to take delivery, or requests that MEYER delay the delivery of the Products, MEYER shall be entitled to complete the fabrication of the Products and to place the Products into storage at Buyer's expense. Buyer agrees to compensate MEYER in the amount of 1.5% of the Product purchase price for each 15 day period that Products remain in storage at MEYER's facility beyond the originally scheduled delivery date. MEYER further reserves the right to deliver to Buyer at Buyer's principal place of business any Products that have remained in storage at MEYER's facility for more than 60 days.

10) Limitation of Liability

THE REMEDIES OF BUYER SET FORTH IN THESE TERMS AND CONDITIONS ARE EXCLUSIVE AND ARE BUYER'S SOLE REMEDIES FOR ANY FAILURE OF MEYER TO COMPLY WITH ITS OBLIGATIONS HEREUNDER OR UNDER THE TRANSACTIONS TO WHICH THESE TERMS AND CONDITIONS APPLY. NOTWITHSTANDING ANY PROVISION IN THESE TERMS AND CONDITIONS TO THE CONTRARY, IN NO EVENT SHALL MEYER BE LIABLE TO BUYER IN CONTRACT, WARRANTY, TORT (INCLUDING STRICT LIABILITY) OR OTHERWISE FOR LOSS OF PROFITS OR REVENUE, BUSINESS INTERRUPTION, LOSS OF USE OF PRODUCTS OR ANY ASSOCIATED EQUIPMENT, COST OF CAPITAL, DOWNTIME, COST OF SUBSTITUTE EQUIPMENT, COST OF PURCHASED POWER, OR ANY OTHER INDIRECT, INCIDENTAL, SPECIAL OR CONSEQUENTIAL DAMAGES WHATSOEVER. THE TOTAL CUMULATIVE LIABILITY OF MEYER IN CONNECTION WITH ANY TRANSACTION GOVERNED BY THESE TERMS AND CONDITIONS, WHETHER THE CLAIMS ARE BASED IN CONTRACT, WARRANTY, TORT (INCLUDING STRICT LIABILITY) OR OTHERWISE, SHALL NOT EXCEED THE PRICE PAID BY BUYER FOR THE PRODUCT(S) UPON WHICH SUCH CLAIM OR LIABILITY IS BASED. The forgoing exclusions and limitations of damages will apply even if any warranty stated herein fails of its essential purpose.

11) Default and Termination for Cause

Each of MEYER and Buyer shall be entitled, without prejudice to any other rights they may have hereunder, to terminate and cancel any order or transaction governed by these Terms and Conditions upon notice in writing to the other party, if the other party is in default of any of its obligations under the transaction and has failed to remedy or cure such default within 30 days following the date it receives notification in writing of the existence of the default.

Further, MEYER may terminate or cancel any transaction governed by these Terms and Conditions immediately upon notice to Buyer if Buyer becomes insolvent, ceases to pay its debts as they come due, makes a general assignment for the benefit of creditors, suffers or permits the appointment of a receiver for its business or assets, or avails itself of or becomes subject to any proceeding under the Federal Bankruptcy Act or any other applicable law relating to insolvency or the protection of rights of creditors. In the event that MEYER terminates an order or transaction as provided in this paragraph 11, MEYER shall be entitled to recover from Buyer or Buyer's representative the amounts that MEYER would be entitled to collect from Buyer upon a cancellation by Buyer under paragraph 9 above.

12) Backcharges and Setoffs

Buyer shall not withhold any backcharges, setoffs, deductions or credits against amounts otherwise due MEYER unless such charges are authorized by MEYER in writing in advance.

13) Use of Intellectual Property

The ownership of all copyrights and other intellectual property rights in all designs, drawings, technical reports and technical calculations developed or provided by MEYER will remain with MEYER. MEYER grants to Buyer a royalty-free, non-exclusive license to use and reproduce any designs, drawings, technical reports and technical calculations developed by MEYER in connection with the Products. This license is limited to the right to use and reproduce such designs, drawings, reports and calculations for Buyer's or Buyer's contractors' own use in the erection, installation, operation and maintenance of the specific Product for which the applicable design, drawing, report or calculation was developed.

14) Insurance

MEYER agrees to maintain the following insurance:

- (i) Commercial General Liability with policy limits of \$5 million per occurrence.
- (ii) Workers' Compensation in accordance with statutory requirements of the state where Meyer's manufacturing facility is located and Employers' Liability with policy limits of \$1 million.
- (iii) Automobile Liability Insurance with policy limits of \$5 million per occurrence covering owned, non-owned and hired vehicles.

A certificate of insurance evidencing the above coverage will be furnished upon request.

15) Miscellaneous

All typographical or clerical errors made by MEYER in any quotation, acknowledgment or publication are subject to correction. The validity, construction and interpretation of these Terms and Conditions, all orders and transactions to which these Terms and Conditions apply, the sale of the goods or materials by MEYER to Buyer, the rights and duties of the parties with respect to such sale, the relationship between MEYER and Buyer, and any disputes arising out of the foregoing shall be governed by and construed under the laws of the State of Tennessee, U.S.A. without regard to its conflicts of law rules and without regard to the United Nations Convention on Contracts for the International Sale of Goods. Any dispute between MEYER and Buyer shall be heard exclusively in the state or federal courts located in Shelby County, Tennessee, and Buyer specifically consents to the jurisdiction and venue of such courts. MEYER AND BUYER HEREBY IRREVOCABLY WAIVE THEIR RIGHT TO TRIAL BY JURY IN ANY ACTION OR PROCEEDING RELATING TO THE PRODUCTS OR THE TRANSACTIONS GOVERNED BY THESE TERMS AND CONDITIONS.

These terms and conditions supersede all other communications, negotiations and prior oral or written statements regarding the subject matter of these terms and conditions. No conditions, usage of trade, course of dealing or performance, understanding or agreement purporting to modify, vary, explain, or supplement these terms and conditions shall be binding unless hereafter made in writing and signed by the party to be bound. Any failure or delay on the part of either MEYER or Buyer to exercise any right, power, privilege or remedy herein shall not constitute a waiver thereof. If any provision or portion of these terms shall be adjudged invalid or unenforceable for any reason by a court of competent jurisdiction or by operation of any applicable law, that invalidity or unenforceability shall not affect the other provisions of these terms, all of which shall remain in full force and effect. Buyer shall not assign its rights or delegate its duties hereunder or any interest herein without the prior written consent of MEYER, and any such assignment, without such consent, shall be void.

MEYER

UTILITY STRUCTURES

Meyer Utility Structures
6750 Lenox Center Court, Suite 400
Memphis, TN 38115
©Copyright 2020 Meyer Utility Structures, LLC. All rights reserved.

800.501.0962
ISO 9001:2015
meyerutilitystructures.com